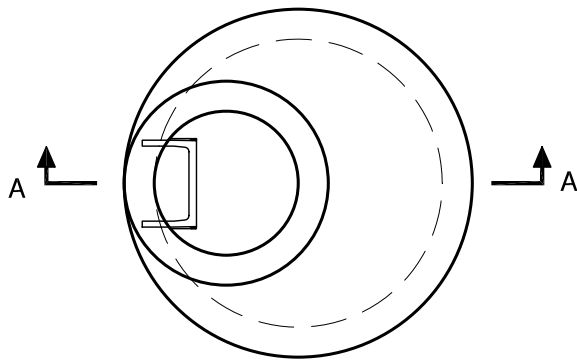
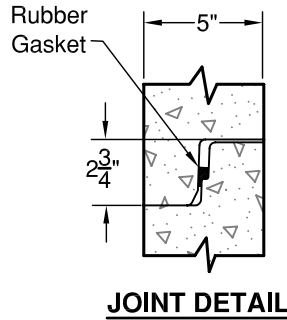
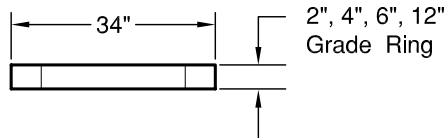


48" Type 1 Sewer Manhole Alaska

Meets or Exceeds City and Borough of
Juneau Standard Plan 203.
Constructed in Accordance with
ASTM C-478 & C-478-69.

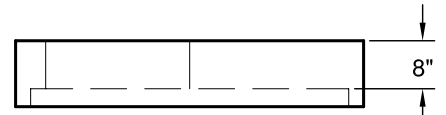


PLAN VIEW

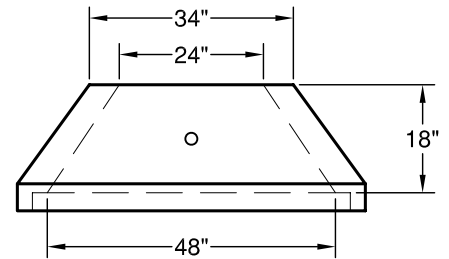


JOINT DETAIL

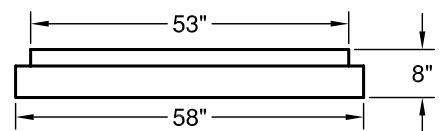
OPTIONS:



TOP SLAB



CONCENTRIC CONE



BASE SLAB

WEIGHTS:

Cone:	2' - 1,740 lbs
	3' - 2,540 lbs
Concentric Cone:	1.5' - 1,300 lbs
Top Slab:	1,580 lbs
Riser:	1' - 950 lbs
	2' - 1,800 lbs
	3' - 2,700 lbs
	4' - 3,600 lbs
	5' - 4,500 lbs
	6' - 5,400 lbs
Base:	2' - 3,200 lbs
	3' - 4,400 lbs
	4' - 4,800 lbs
	5' - 6,300 lbs
	6' - 7,540 lbs
Base Slab:	8" - 1,900 lbs

CONCRETE:

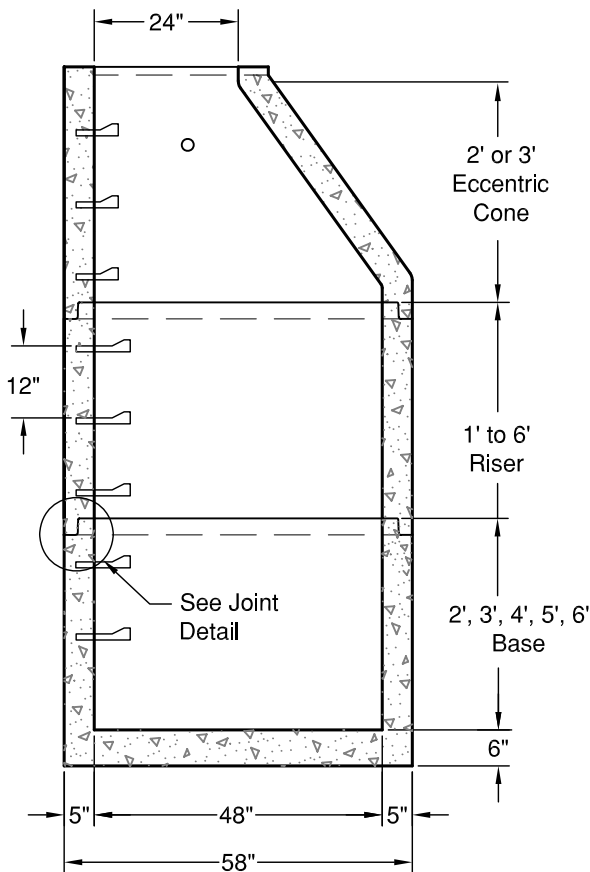
F_c = 4,000 psi @ 28 Days

REINFORCING STEEL:

Welded Wire Fabric: ASTM A497
 Rebar: ASTM A615 Grade 60
 Cone, Riser: 0.12 Sq in./lin ft min.
 Top Slab: 0.40 Sq in./lin ft e.w. min.
 Base w/integral Riser: 0.15 Sq in./lin ft min.
 Base Slab: 0.23 Sq in./ft e.w. min.

PIPE PENETRATIONS:

Maximum Hole Size 36"
 Minimum Distance Hole to Hole 8"
 Holes Cored to Plan Specifications
 Kor-N-Seal Connectors Available
 Standard Knockouts Available



SECTION AA

© 2011 Granite Precasting & Concrete, Inc.



GRANITE™

**PRECASTING &
CONCRETE INC.**

4116 BAKERVIEW SPUR • BELLINGHAM, WA 98226 • (360) 671-2251 • 1-800-808-2251 • FAX: (360) 671-0780