

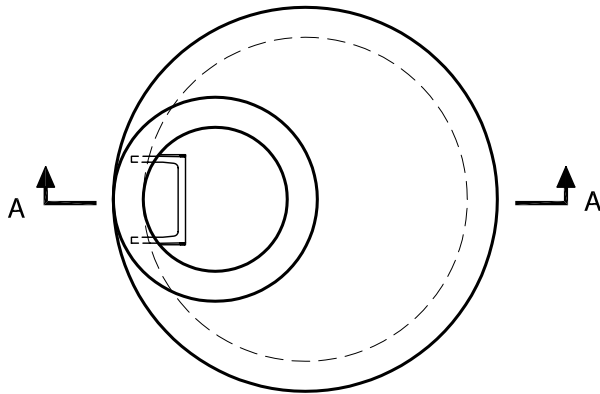
# 54" Manhole

Meets or Exceeds WSDOT Std Plan B-23a

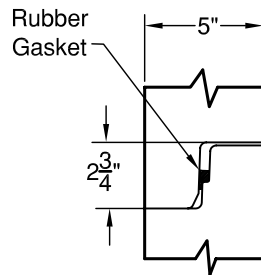
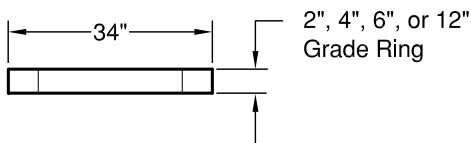
Manholes Constructed in Accordance With ASTM C-478

Rubber Gasket Conforms to ASTM C-443

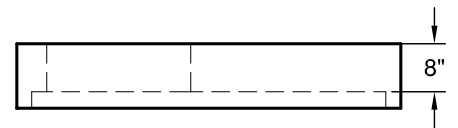
Polypropylene MH Steps Conform to ASTM C-478



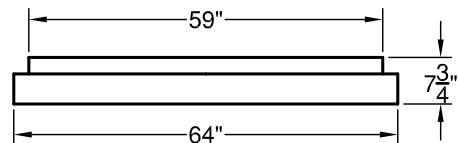
**PLAN VIEW**



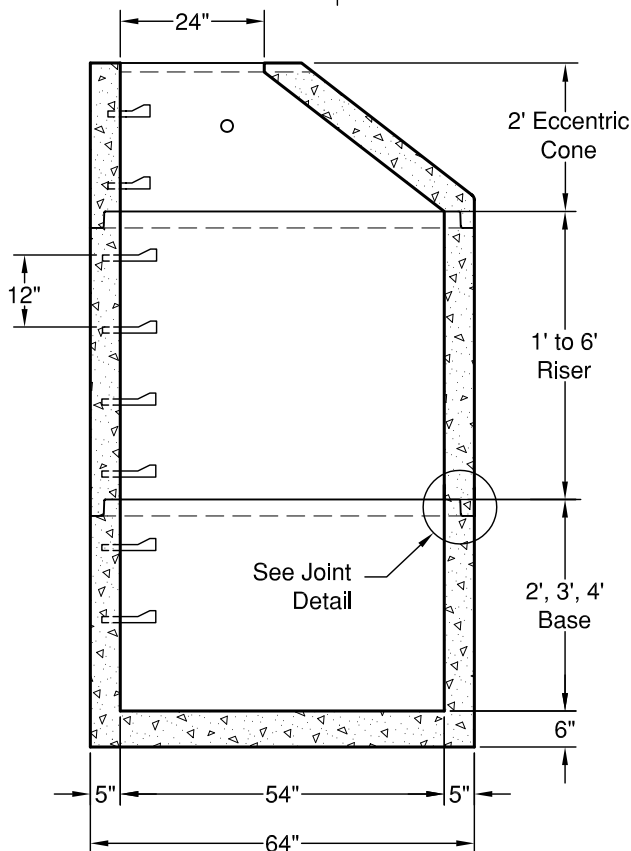
**JOINT DETAIL**



**TOP SLAB**



**BASE SLAB**



**SECTION AA**

**WEIGHTS:**

- CONE: 2' - 1,840 lbs
- TOP SLAB: 8" - 1,940 lbs
- RISER: 1' - 960 lbs
- 2' - 1,900 lbs
- 3' - 2,900 lbs
- 4' - 3,800 lbs
- 5' - 4,700 lbs
- 6' - 5,800 lbs
- BASE: 2' - 3,500 lbs
- 3' - 4,400 lbs
- 4' - 5,300 lbs
- BASE SLAB: 8" - 2,000 lbs

**CONCRETE:**

F<sub>c</sub> = 4,000 psi @ 28 Days

**REINFORCING STEEL:**

- Welded Wire Fabric: ASTM A185
- Rebar: ASTM A615 Grade 60
- Riser: 0.15 Sq in./lin ft min.
- Base Slab: 0.23 Sq in./ft e.w. min.

**PIPE PENETRATIONS:**

- Maximum Hole Size: 42"
- Minimum Distance Hole to Hole: 8"
- Holes Cored to Plan Specifications
- Kor-N-Seal Connectors Available
- Standard Knockouts Available



**GRANITE**

**PRECASTING & CONCRETE INC.**