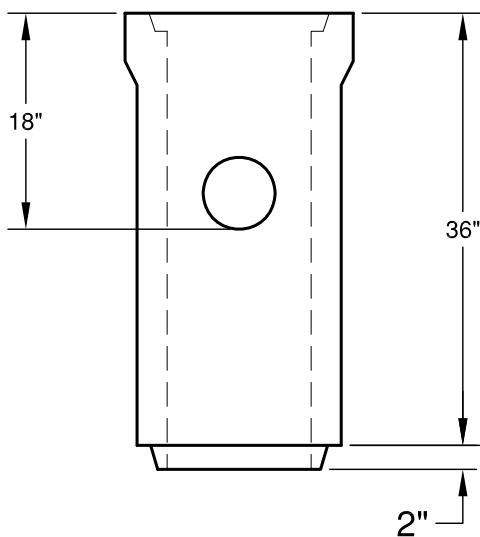
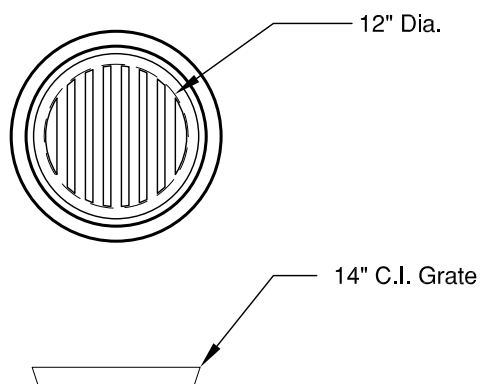


12" Pipe Area Drain

Conforms to APWA
Standard Plan No. 83.



ELEVATION

WEIGHT: 360 lbs.

(1) 6" Knockout provided
for pipe entry.

For use with 14" C.I. Grate



GRANITE™

**PRECASTING &
CONCRETE INC.**

4116 BAKERVIEW SPUR • BELLINGHAM, WA 98226 • (360) 671-2251 • 1-800-808-2251 • FAX: (360) 671-0780