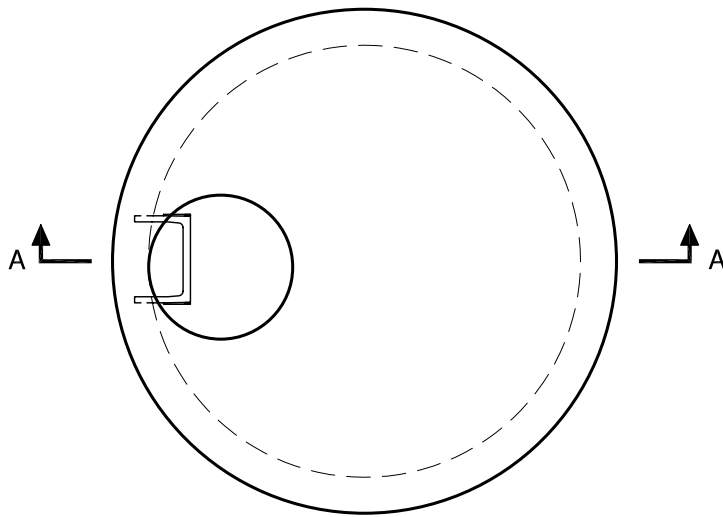
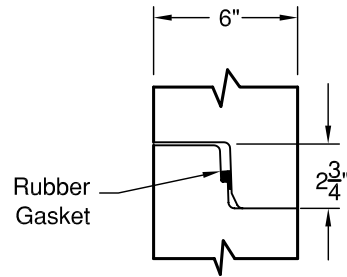


# 72" Manhole

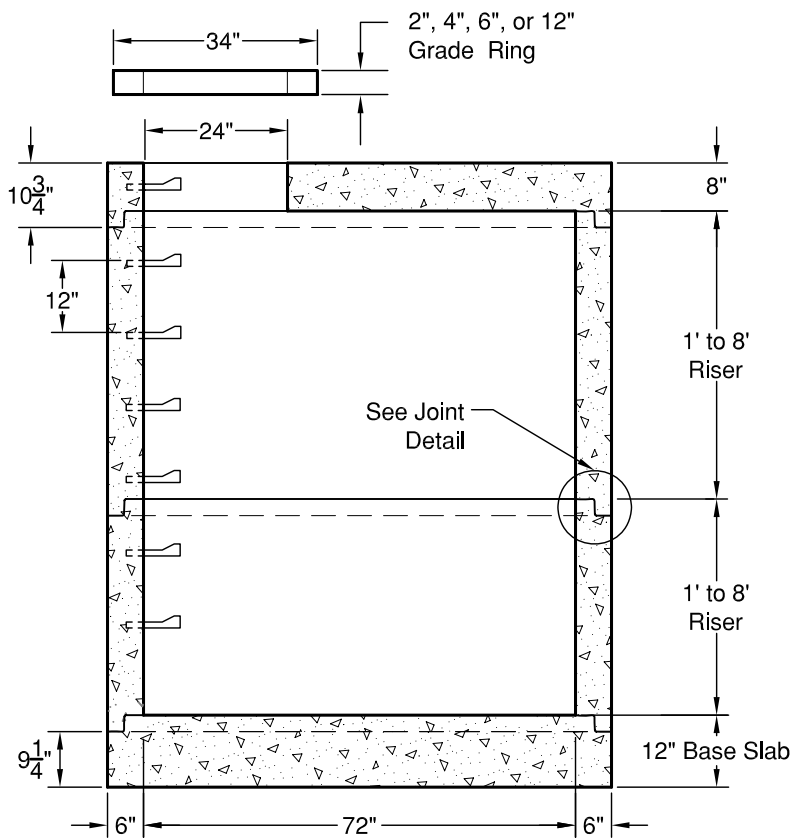
Meets or Exceeds WSDOT Std Plan B-15.60-00  
 Manholes Constructed in Accordance with ASTM C-478  
 Rubber Gasket Conforms to ASTM C-443  
 Polypropylene MH Steps Conform to ASTM C-478



**PLAN VIEW**



**JOINT DETAIL**



**SECTION AA**

**WEIGHTS:**

TOP SLAB:	8" - 3,620 lbs
RISER:	1' - 1,500 lbs
	2' - 3,000 lbs
	3' - 4,500 lbs
	4' - 6,000 lbs
	5' - 7,500 lbs
	6' - 9,000 lbs
	7' - 10,500 lbs
	8' - 12,000 lbs
BASE SLAB:	12" - 5,300 lbs

**CONCRETE:**

Fc= 4,000 psi @ 28 Days

**REINFORCING STEEL:**

Welded Wire Fabric: ASTM A497  
 Rebar: ASTM A615 Grade 60  
 Top Slab: 0.62 Sq in./ft e.w. min.  
 Riser: 0.18 Sq in./lin ft min.  
 Base Slab: 0.35 Sq in./ft e.w. min.

**PIPE PENETRATIONS:**

Maximum Hole Size: 60"  
 Minimum Distance Hole to Hole: 12"  
 Holes Cored to Plan Specifications  
 Kor-N-Seal Connectors Available

© 2011 Granite Precasting & Concrete, Inc.



**GRANITE™**

**PRECASTING &  
 CONCRETE INC.**

4116 BAKERVIEW SPUR • BELLINGHAM, WA 98226 • (360) 671-2251 • 1-800-808-2251 • FAX: (360) 671-0780