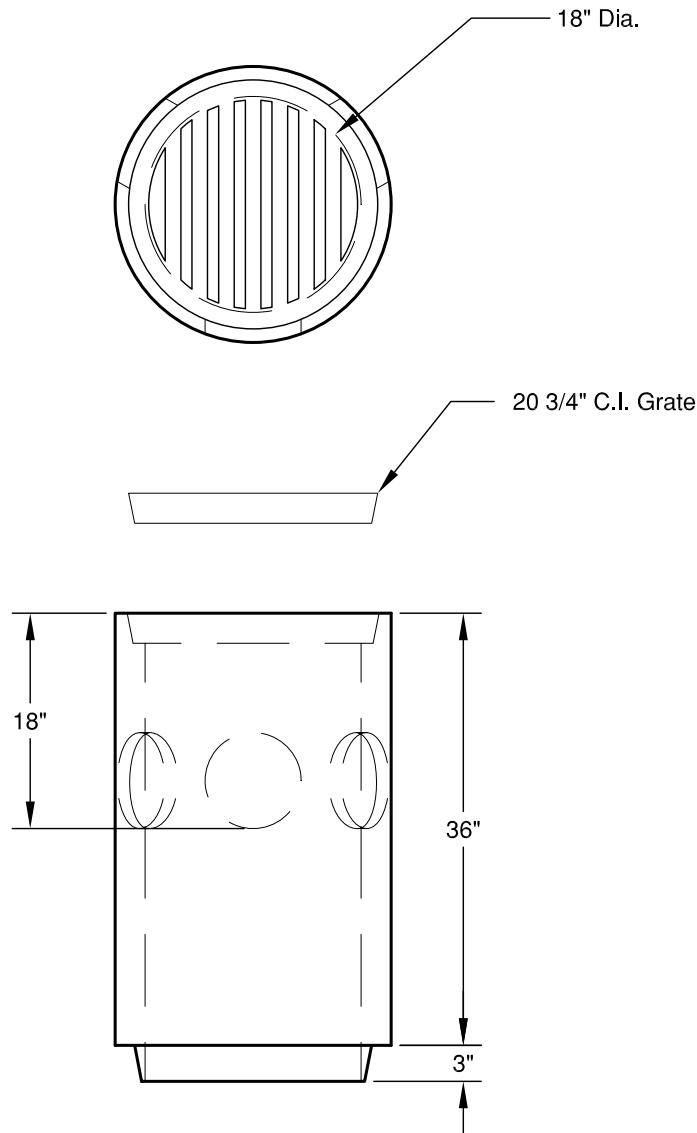


18" Pipe Area Drain

Conforms to APWA
Standard Plan No. 83.



WEIGHT: 630 lbs.

(3) 8" Knockouts provided
for pipe entry.

For use with 20 3/4" C.I. Grate

6" and 12" risers available

© 2011 Granite Precasting & Concrete, Inc.



GRANITE™ PRECASTING & CONCRETE INC.

4116 BAKERVIEW SPUR • BELLINGHAM, WA 98226 • (360) 671-2251 • 1-800-808-2251 • FAX: (360) 671-0780