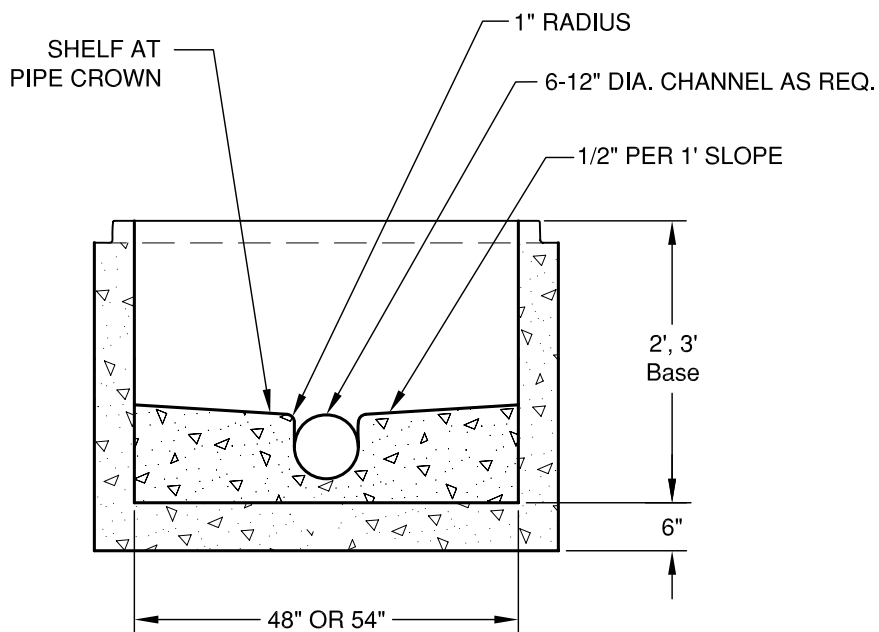
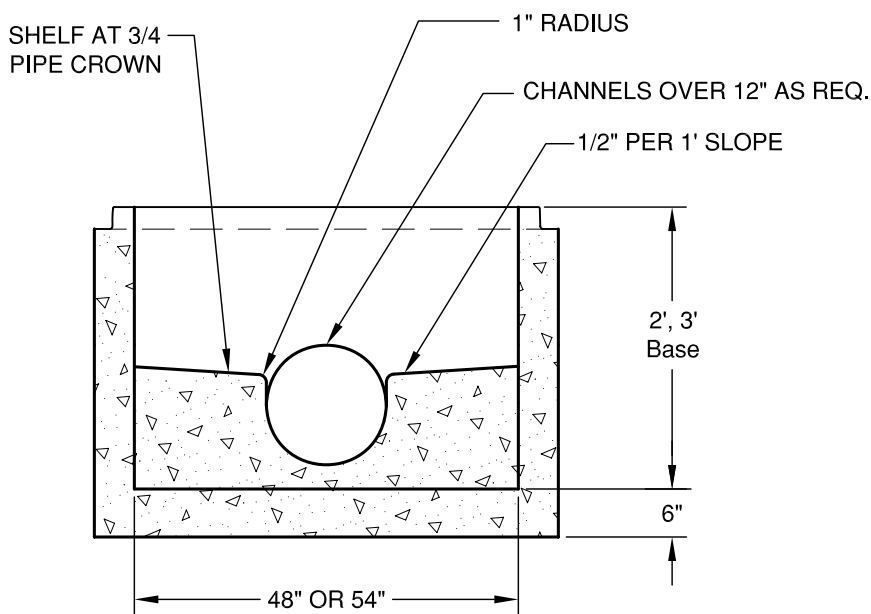


Pre-Channelled Base



**SECTION VIEW
(6"-12" DIAMETER PIPE)**



**SECTION VIEW
(OVER 12" DIAMETER PIPE)**

NOTE:
Recess for Pick
Holes to be
Field Grouted
By Others

**CONCRETE
FOR CHANNEL:**
F_c = 4,000 psi
@ 28 Days

© 2011 Granite Precasting & Concrete, Inc.



GRANITE™ PRECASTING & CONCRETE INC.

4116 BAKERVIEW SPUR • BELLINGHAM, WA 98226 • (360) 671-2251 • 1-800-808-2251 • FAX: (360) 671-0780