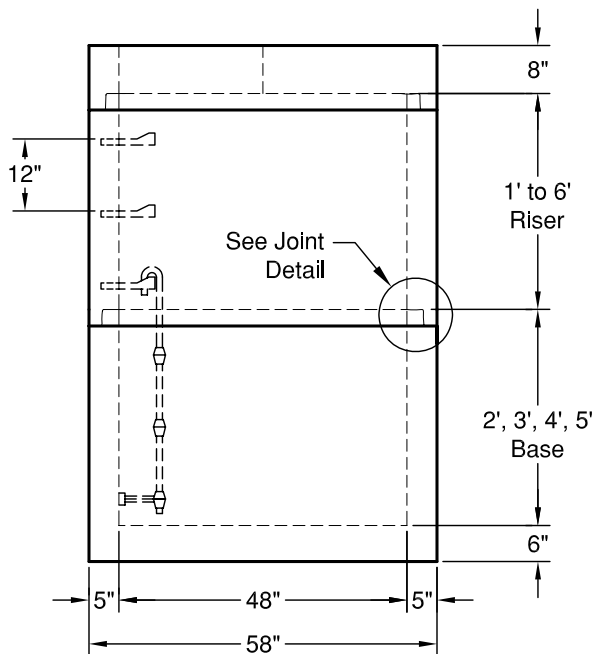
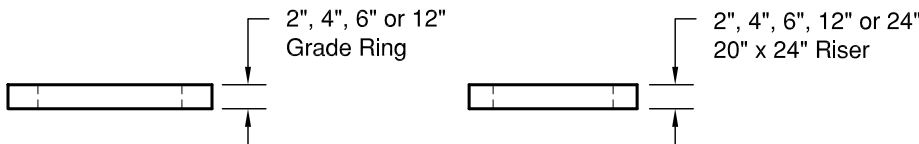
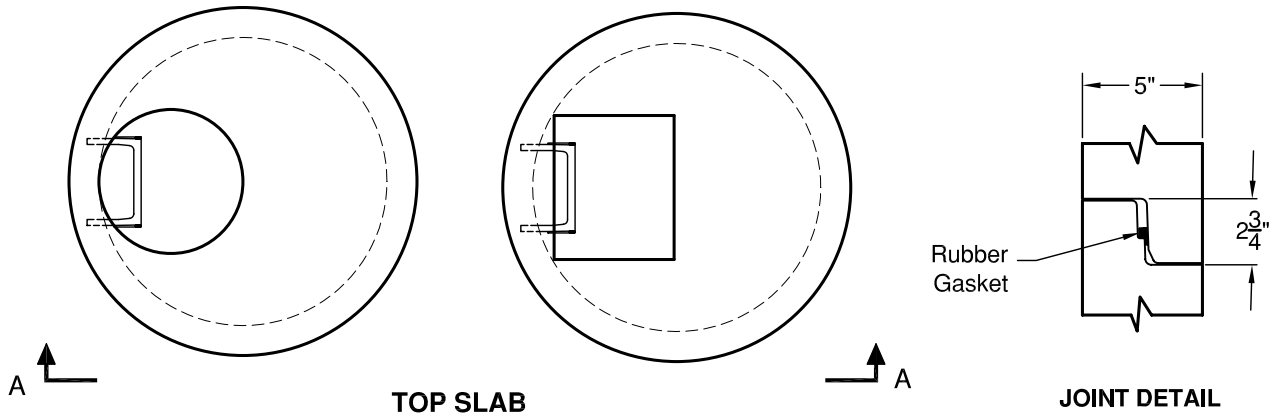


# 48" Type 2 Catch Basin

Meets or Exceeds WSDOT Standard Plan B-10.20-00  
 Catch Basins Constructed in Accordance with ASTM C-478  
 Rubber Gasket Conforms to ASTM C-443  
 Polypropylene MH Steps Conform to ASTM C-478



**ELEVATION AA**

**WEIGHTS:**

- TOP SLAB: 8" - 1,580 lbs
- RISER: 1' - 950 lbs
- 2' - 1,800 lbs
- 3' - 2,700 lbs
- 4' - 3,600 lbs
- 5' - 4,500 lbs
- 6' - 5,400 lbs
- BASE: 2' - 3,200 lbs
- 3' - 4,400 lbs
- 4' - 4,800 lbs
- 5' - 6,300 lbs
- BASE SLAB: 8" - 1,900 lbs

**CONCRETE:**

Fc= 4,000 psi @ 28 Days

**REINFORCING STEEL:**

- Welded Wire Fabric: ASTM A 497
- Rebar: ASTM A615 Grade 60
- Top Slab: 0.40 Sq in./ft e.w. min.
- Base w/integral Riser: 0.15 Sq in./lin ft min.
- Base Slab: 0.23 Sq in./lin ft min.

**PIPE PENETRATIONS:**

- Maximum Hole Size: 36"
- Minimum Distance Hole to Hole: 8"
- Holes Cored to Plan Specifications
- Kor-N-Seal Connectors Available
- Standard Knockouts Available

© 2011 Granite Precasting & Concrete, Inc.



**GRANITE™ PRECASTING & CONCRETE INC.**

4116 BAKERVIEW SPUR • BELLINGHAM, WA 98226 • (360) 671-2251 • 1-800-808-2251 • FAX: (360) 671-0780