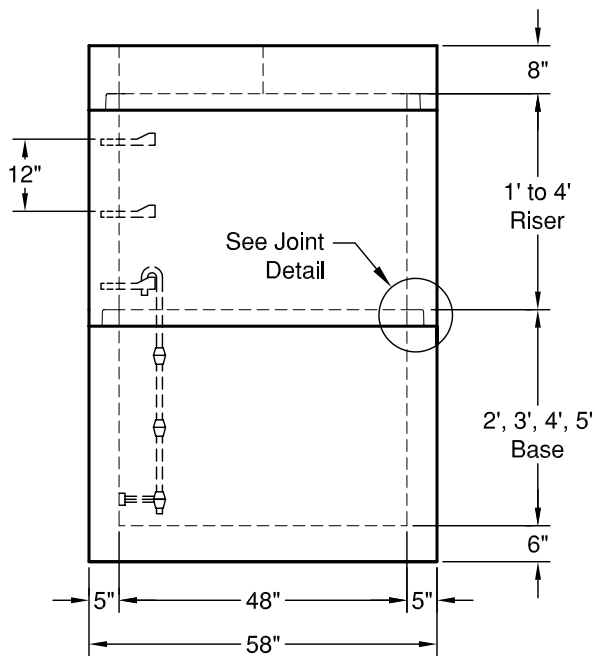
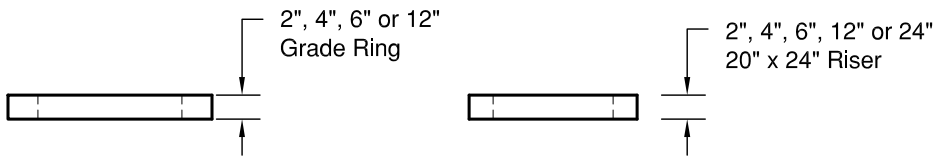
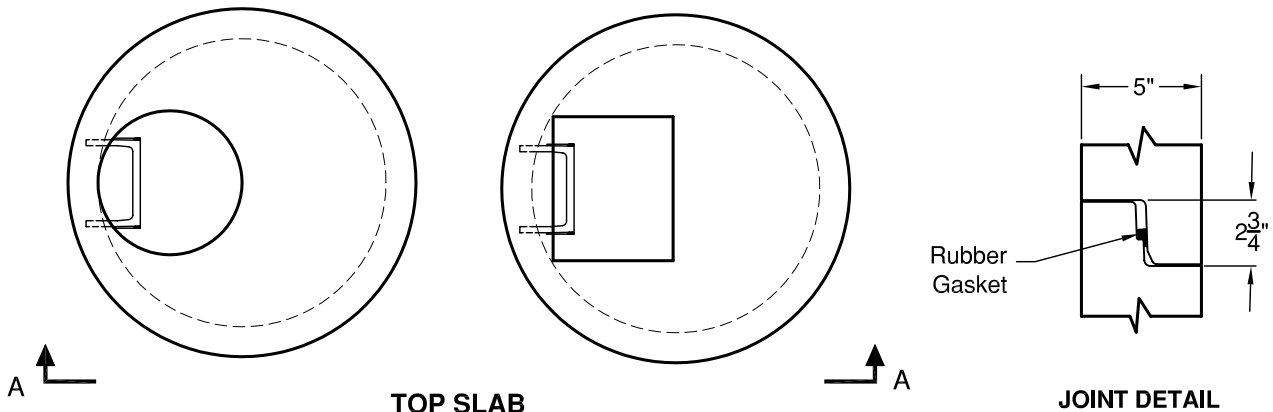


48" Type 2 Catch Basin

Meets or Exceeds WSDOT standard plan B-1e
 Catch Basins Constructed in Accordance with ASTM C-478
 Rubber Gasket Conforms to ASTM C-443
 Polypropylene MH Steps Conform to ASTM C-478



ELEVATION AA

WEIGHTS:

TOP SLAB:	1,580 lbs
RISER:	1' - 950 lbs
	2' - 1,800 lbs
	3' - 2,700 lbs
	4' - 3,600 lbs
BASE:	2' - 3,200 lbs
	3' - 4,400 lbs
	4' - 4,800 lbs
	5' - 6,300 lbs

CONCRETE:

F_c = 4,000 psi @ 28 Days

REINFORCING STEEL:

Welded Wire Fabric: ASTM A 497
 Rebar: ASTM A615 Grade 60
 Base w/integral Riser: 0.15 Sq in./lin ft min.
 Base Slab: 0.23 Sq in./lin ft min.

PIPE PENETRATIONS:

Maximum Hole Size: 36"
 Minimum Distance Hole to Hole: 8"
 Holes Cored to Plan Specifications
 Kor-N-Seal Connectors Available
 Standard Knockouts Available



GRANITE

**PRECASTING &
 CONCRETE INC.**