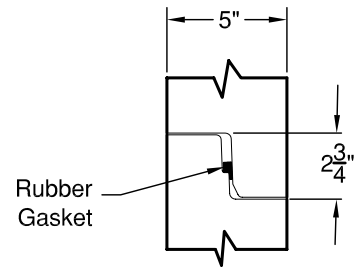
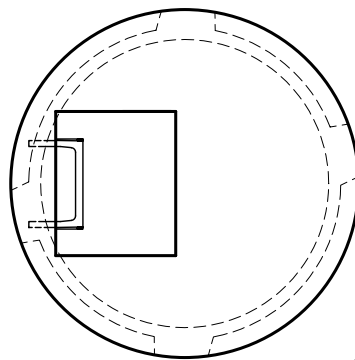
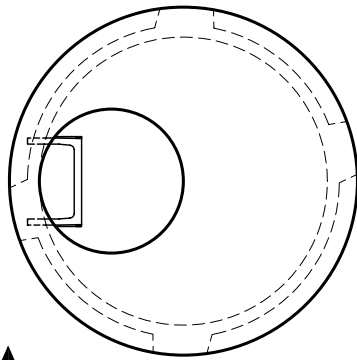


# 48" Type 2 Catch Basin w/ Knockouts

Meets or Exceeds WSDOT Standard Plan B-10.20-00  
 Catch Basins Constructed in Accordance with ASTM C-478  
 Rubber Gasket Conforms to ASTM C-443  
 Polypropylene MH Steps Conform to ASTM C-478

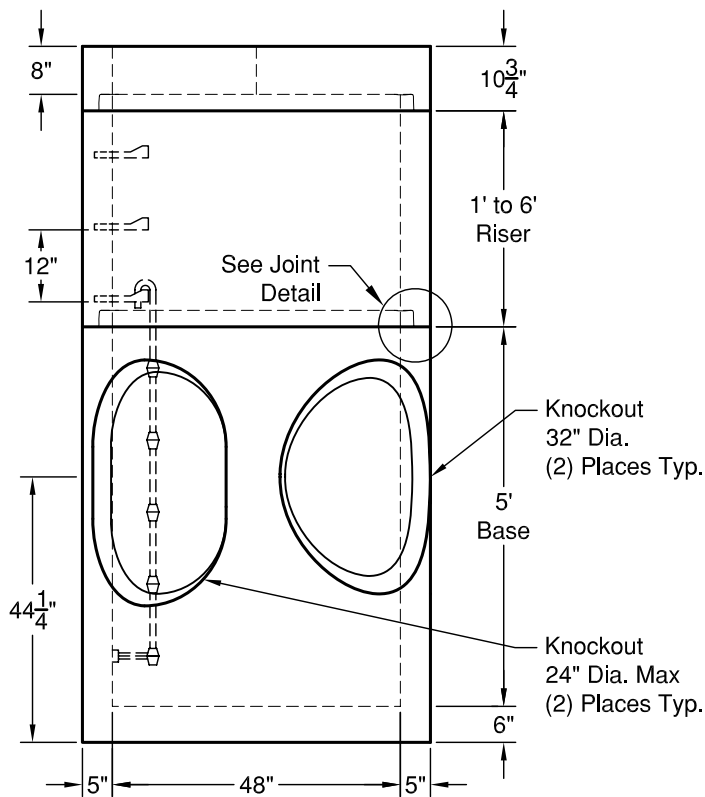
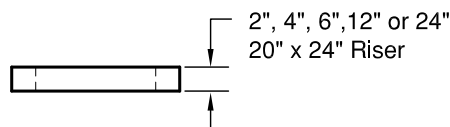
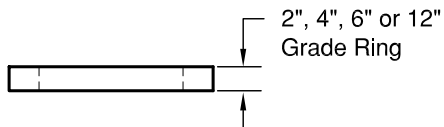


A ↗

↖ A

## TOP SLAB

24" Diameter Round or 20" x 24" Rectangular Hole



## ELEVATION AA

### WEIGHTS:

TOP SLAB: 8"	- 1,580 lbs
RISER: 1'	- 950 lbs
2'	- 1,800 lbs
3'	- 2,700 lbs
4'	- 3,600 lbs
5'	- 4,500 lbs
6'	- 5,400 lbs
BASE 5' KO:	- 5,000 lbs

### CONCRETE:

Fc= 4,000 psi @ 28 Days

### REINFORCING STEEL:

Welded Wire Fabric: ASTM A497  
 Rebar: ASTM A615 Grade 60  
 Top Slab: 0.40 Sq in./ft e.w. min.  
 Base w/integral Riser:  
 0.15 Sq in./lin ft min.  
 Base Slab: 0.23 Sq in./lin ft min.

### PIPE PENETRATIONS:

Maximum Hole Size: 36"  
 Minimum Distance Hole to Hole: 8"

© 2011 Granite Precasting & Concrete, Inc.



# GRANITE™

# PRECASTING & CONCRETE INC.

4116 BAKERVIEW SPUR • BELLINGHAM, WA 98226 • (360) 671-2251 • 1-800-808-2251 • FAX: (360) 671-0780