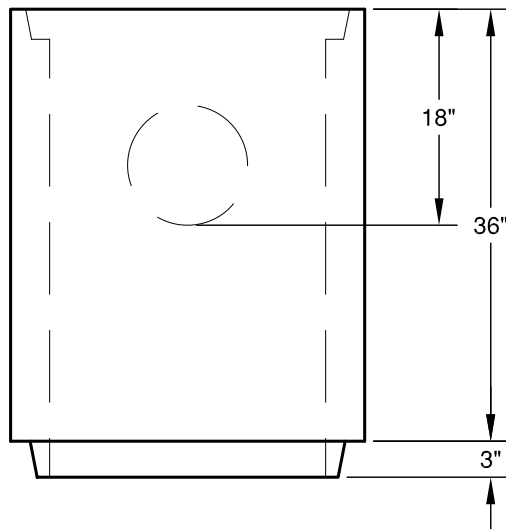
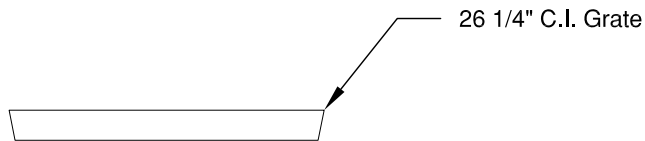
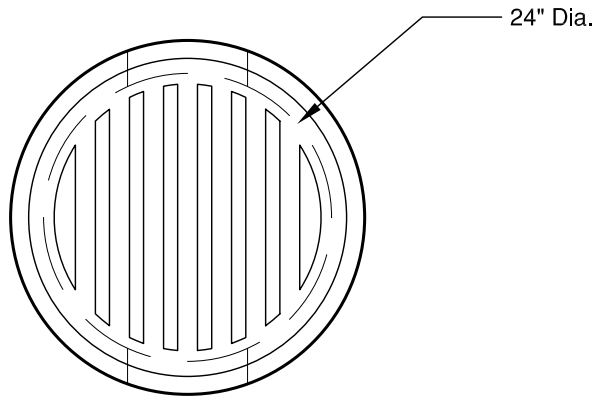


# 24" Pipe Area Drain

Conforms to APWA  
Standard Plan No. 83.



**WEIGHT:** 400 lbs.

(2) 10" Knockouts provided  
for pipe entry.

Custom size & number of  
openings available per request.

For use with 26 1/4" C.I. Grate

6" and 12" risers available

© 2011 Granite Precasting & Concrete, Inc.



**GRANITE™ PRECASTING & CONCRETE INC.**

4116 BAKERVIEW SPUR • BELLINGHAM, WA 98226 • (360) 671-2251 • 1-800-808-2251 • FAX: (360) 671-0780