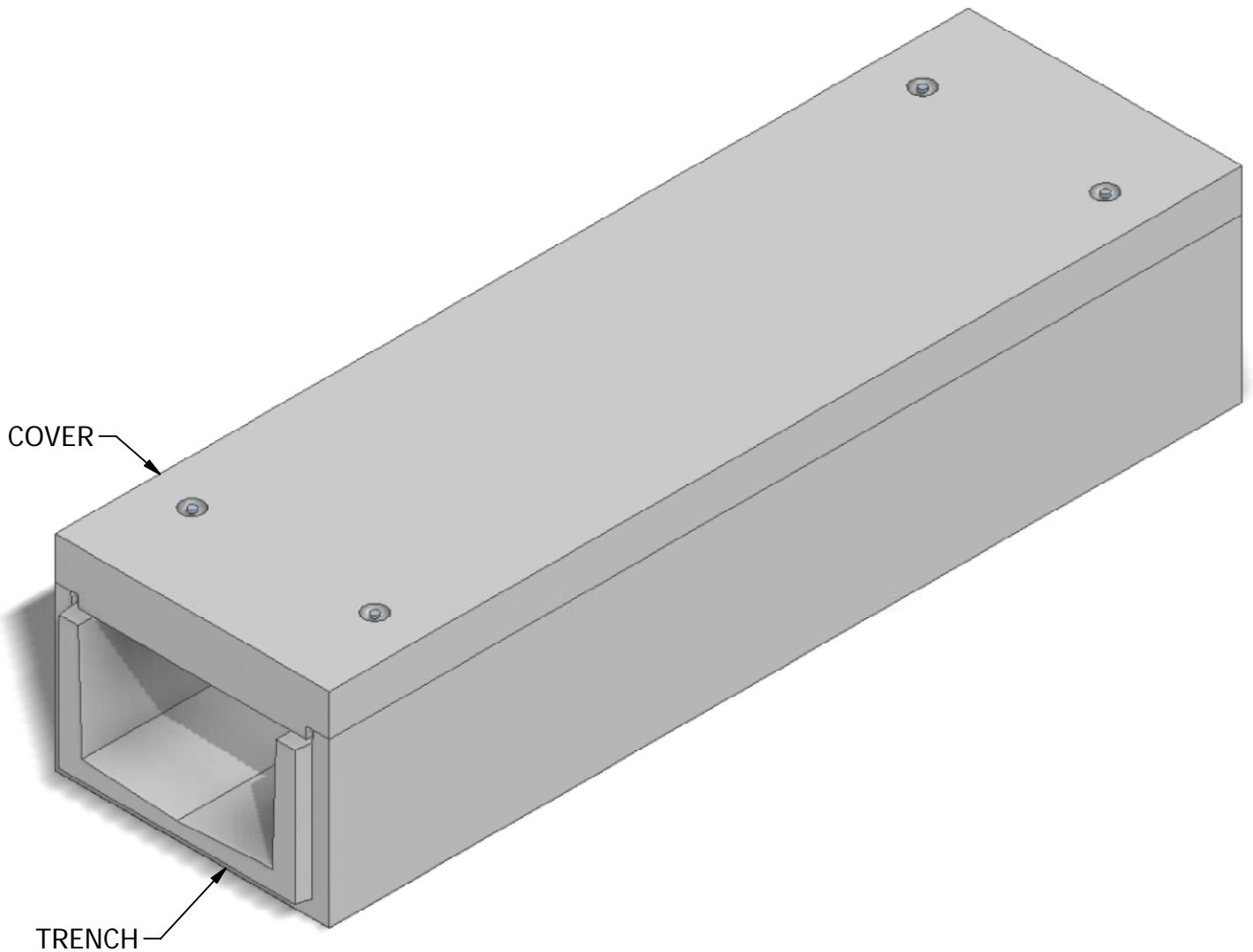


25 x 15 Precast Trench



INTERIOR DIMENSIONS:
1'-3"H x 2'-1"W

WEIGHTS:
COVER (2,658 lbs)
TRENCH (3,620 lbs)

© 2011 Granite Precasting & Concrete, Inc.

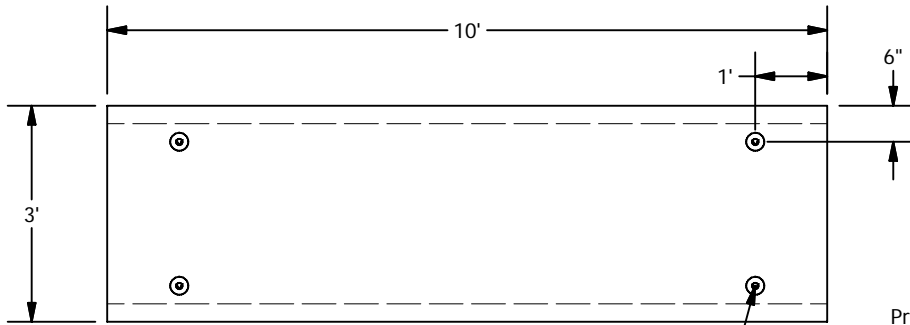


GRANITETM

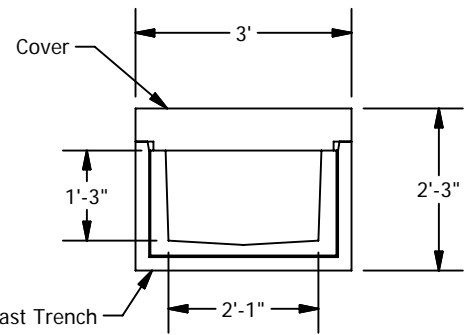
**PRECASTING &
CONCRETE INC.**

4116 BAKERVIEW SPUR • BELLINGHAM, WA. 98226 • (360) 671-2251 • 1-800-808-2251 • FAX: (360) 671-0780

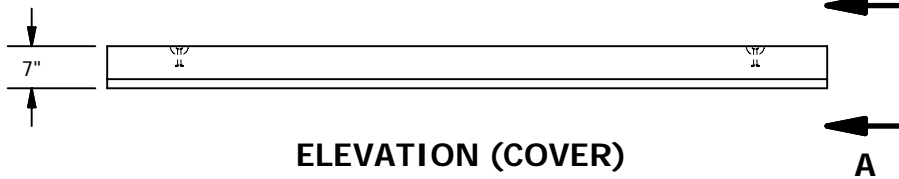
25 x 15 Precast Trench



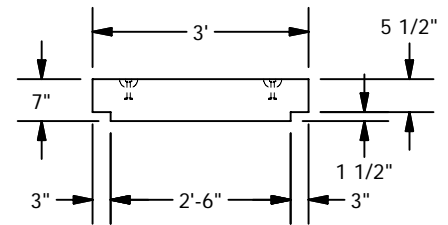
PLAN (COVER)



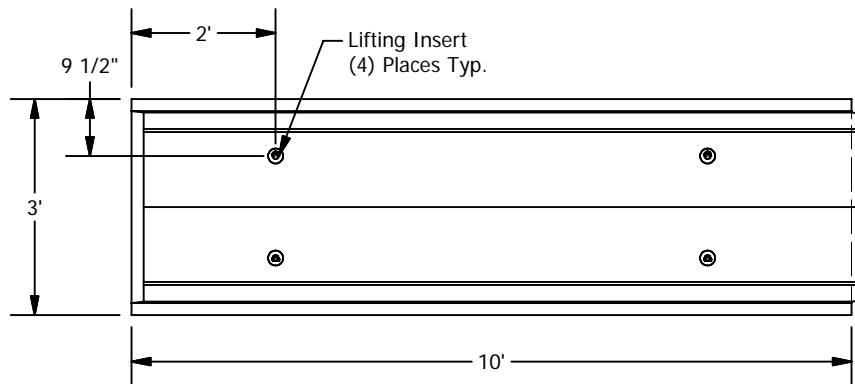
ASSEMBLED SECTION



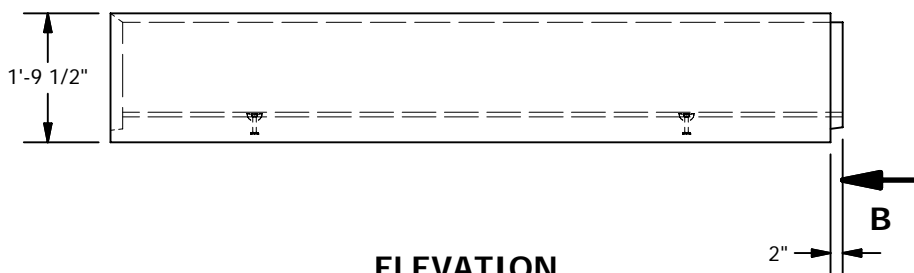
ELEVATION (COVER)



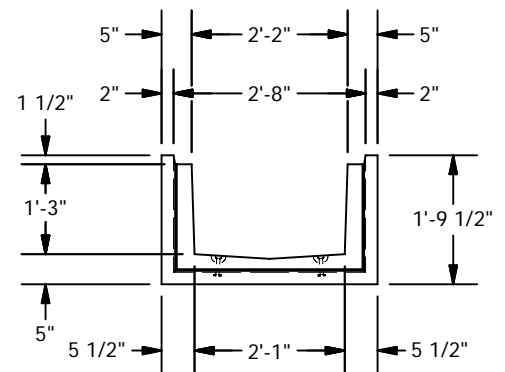
**VIEW A-A
SCALE 1/32**



PLAN



ELEVATION



**VIEW B-B
SCALE 1/32**

© 2011 Granite Precasting & Concrete, Inc.

SPECIFICATIONS

1. Concrete: $F_c=4,000$ psi @28 days
2. Rebar: ASTM A-615 Grade 60
3. Design: ASTM C-857 "Minimum Structural Design Loading for Underground Precast Concrete Utility Structures"
4. Loads: AASHTO HS-20
5. Backfill with granular free draining material (sand or pea gravel) free of stones or cobbles greater than 4" in dia.
6. Items shown are subject to change without notice.