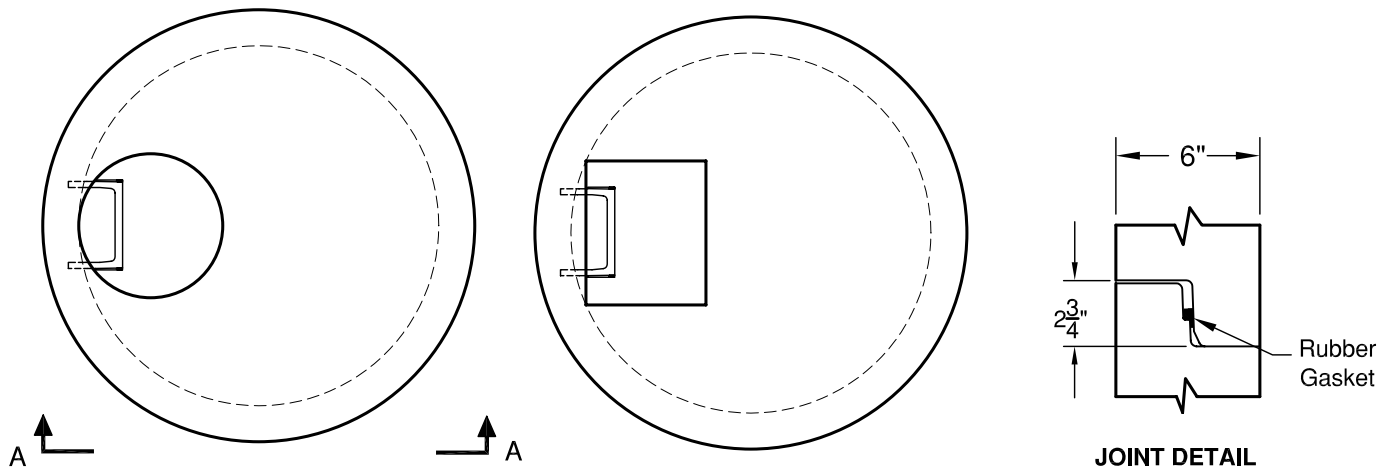


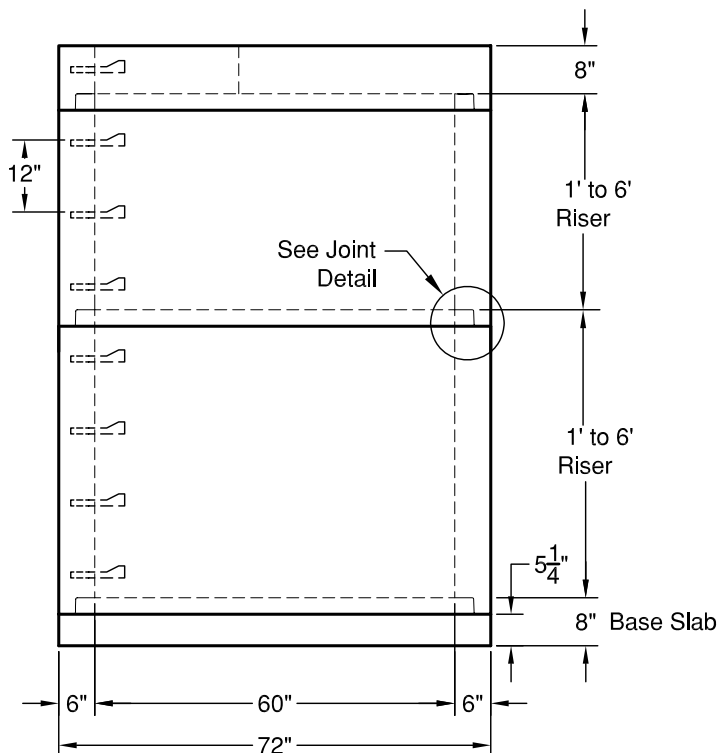
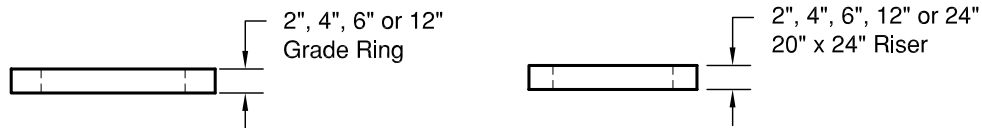
60" Type 2 Catch Basin

Meets or Exceeds WSDOT Standard Plan B-10.20-00
 Catch Basins Constructed in Accordance with ASTM C-478
 Rubber Gasket Conforms to ASTM C-443
 Polypropylene MH Steps Conform to ASTM C-478



TOP SLAB

24" Diameter Round or 20" x 24" Rectangular Hole



ELEVATION AA

WEIGHTS:

| | |
|------------|----------------|
| TOP SLAB: | 8" - 2,620 lbs |
| RISER: | 1' - 1,300 lbs |
| | 2' - 2,600 lbs |
| | 3' - 3,900 lbs |
| | 4' - 5,200 lbs |
| | 5' - 6,500 lbs |
| | 6' - 7,800 lbs |
| BASE SLAB: | 8" - 2,980 lbs |

CONCRETE:

F_c = 4,000 psi @ 28 Days

REINFORCING STEEL:

Welded Wire Fabric: ASTM A 497
 Rebar: ASTM A615 Grade 60
 Top Slab: 0.40 Sq in./ft e.w. min.
 Riser: 0.15 Sq in./lin ft min.
 Base Slab: 0.25 Sq in./lin ft min.

PIPE PENETRATIONS:

Maximum Hole Size: 48"
 Minimum Distance Hole to Hole: 8"
 Holes Cored to Plan Specifications
 Kor-N-Seal Connectors Available

© 2011 Granite Precasting & Concrete, Inc.



GRANITE™ PRECASTING & CONCRETE INC.

4116 BAKERVIEW SPUR • BELLINGHAM, WA 98226 • (360) 671-2251 • 1-800-808-2251 • FAX: (360) 671-0780