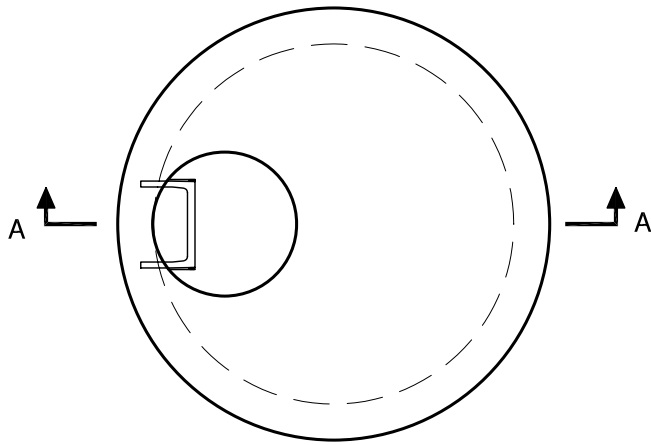
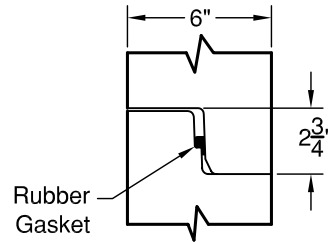


60" Type V Catch Basin Alaska

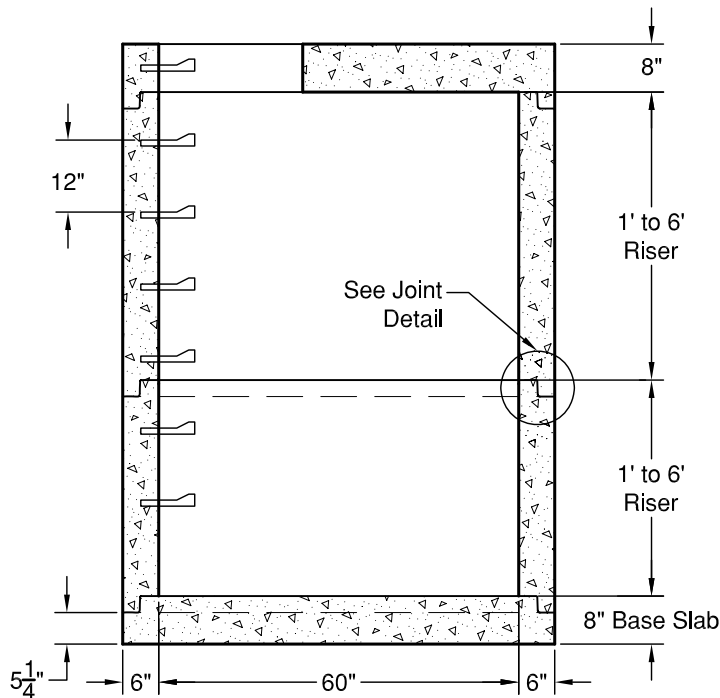
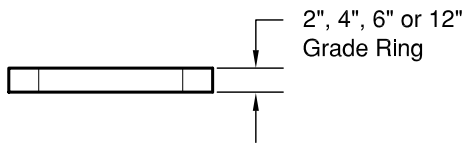
Meets or Exceeds AKDOT Standard Plan D-37.01 and
City and Borough of Juneau Standard Plan 303.
Constructed in Accordance with
ASTM C-478 & C478.8.



PLAN VIEW



JOINT DETAIL



SECTION AA

WEIGHTS:

- TOP SLAB: 2,620 lbs
- RISER: 1' - 1,300 lbs
- 2' - 2,600 lbs
- 3' - 3,900 lbs
- 4' - 5,200 lbs
- 5' - 6,500 lbs
- 6' - 7,800 lbs
- BASE SLAB: 2,980 lbs

CONCRETE:

F_c = 4,000 psi @ 28 Days

REINFORCING STEEL:

- Welded Wire Fabric: ASTM A185
- Rebar: ASTM A615 Grade 60
- Top Slab: 0.40 Sq in./lin ft e.w. min.
- Riser: 0.15 Sq in./lin ft min.
- Base Slab: 0.25 Sq in./ft e.w. min.

PIPE PENETRATIONS:

- Maximum Hole Size: 48"
- Minimum Distance Hole to Hole: 8"
- Holes Cored to Plan Specifications
- Kor-N-Seal Connectors Available

© 2011 Granite Precasting & Concrete, Inc.



GRANITE™

**PRECASTING &
CONCRETE INC.**

4116 BAKERVIEW SPUR • BELLINGHAM, WA 98226 • (360) 671-2251 • 1-800-808-2251 • FAX: (360) 671-0780