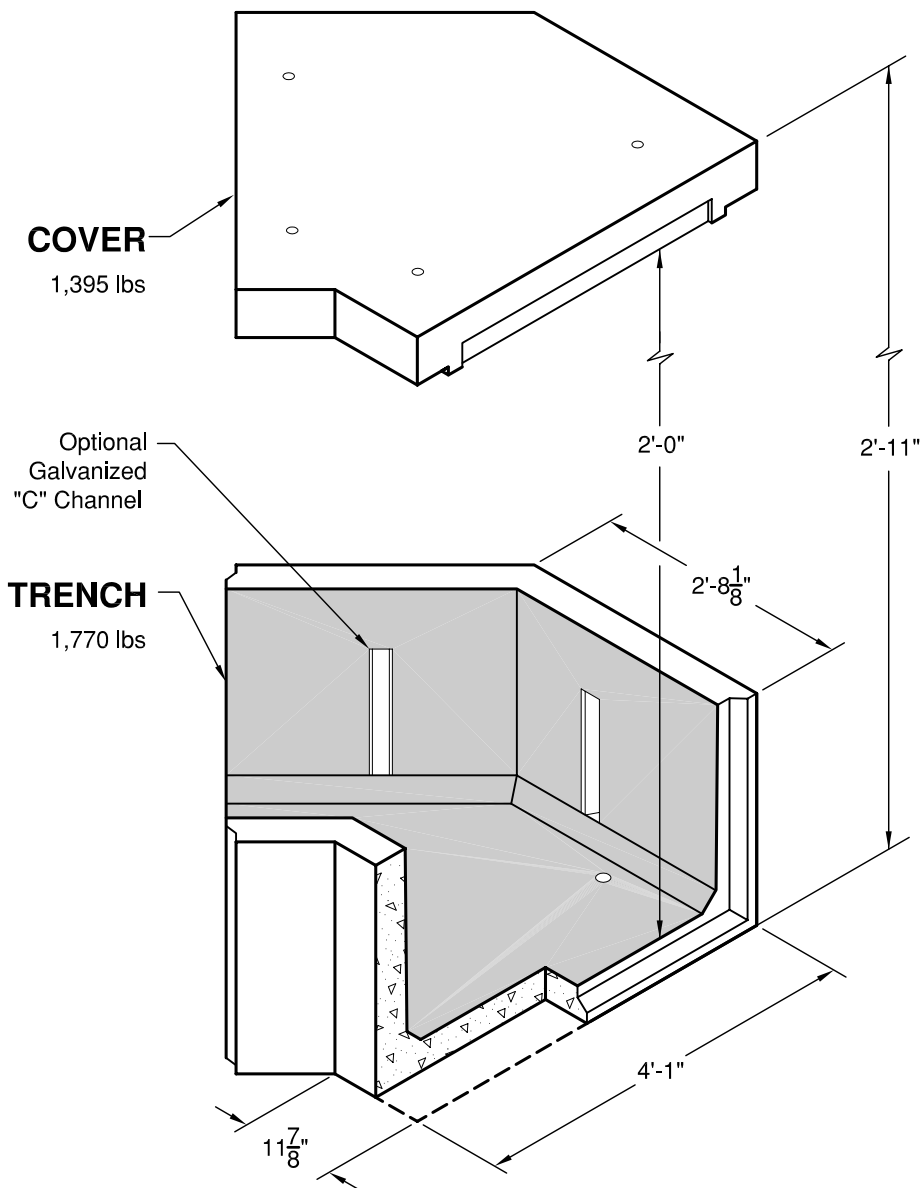
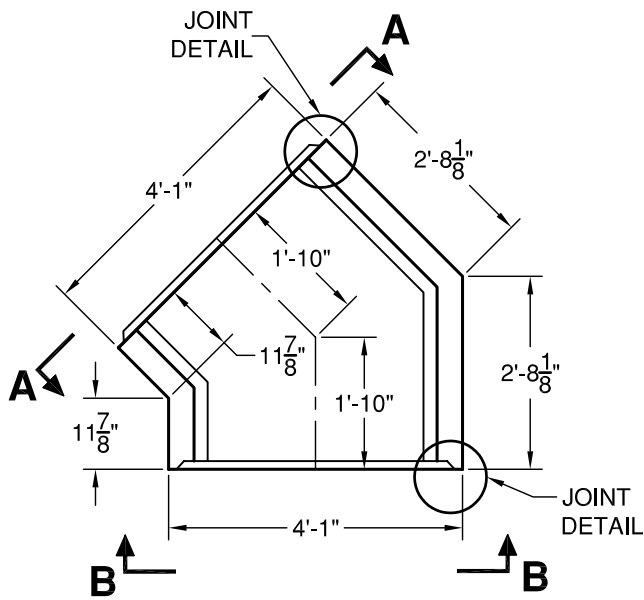


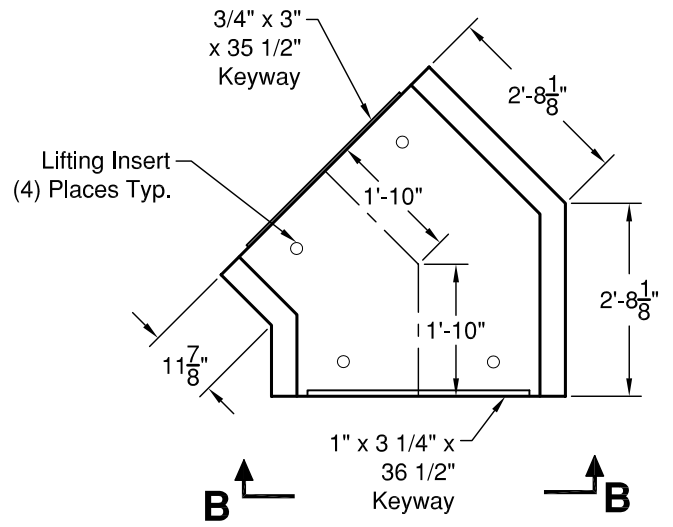
4024 45° Precast Trench



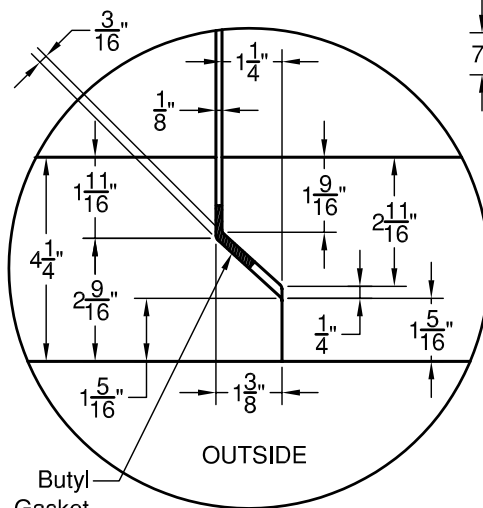
4024 45° Precast Trench



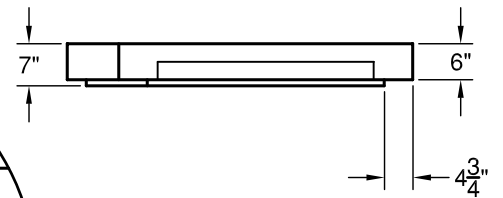
PLAN



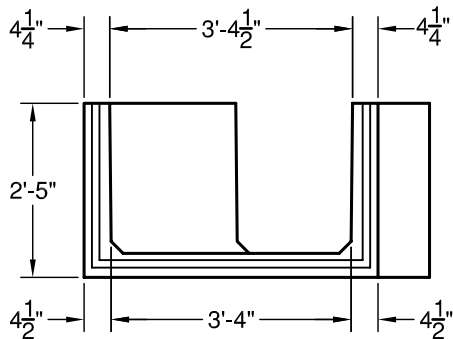
LID PLAN



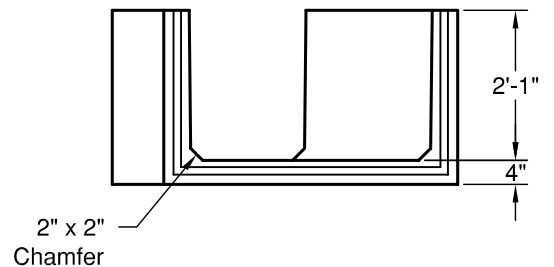
JOINT DETAIL



LID ELEVATION BB



ELEVATION AA



ELEVATION BB

SPECIFICATIONS

1. Concrete: Fc=4000 psi @28 days
2. Rebar: ASTM A-615 Grade 60.
3. Design: ASTM C-857 "Minimum Structural Design Loading for Underground Precast Concrete Utility Structures".
4. Loads: AASHTO HS-20
5. Backfill with granular free draining material (sand or pea gravel) free of stones or cobbles greater than 4" in dia.
6. Items shown are subject to change without notice.