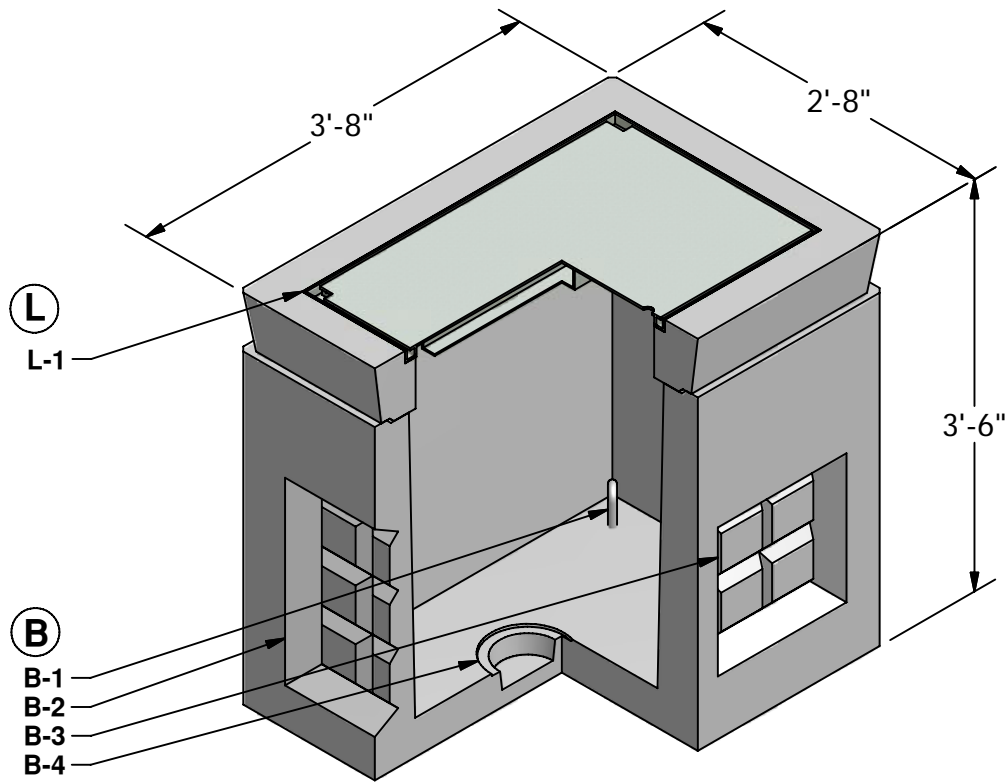


2 x 3 Meter Vault



(L) LID (750 lbs)
L-1. 24" x 36" GALV. ACCESS HATCH

(B) BASE (1,900 lbs)
B-1. LIFTING HOOK
B-2. 1'-6" X 1'-6" KNOCKOUT
B-3. 1'-0" X 1'-0" KNOCKOUT
B-4. 6" DIA. SUMP

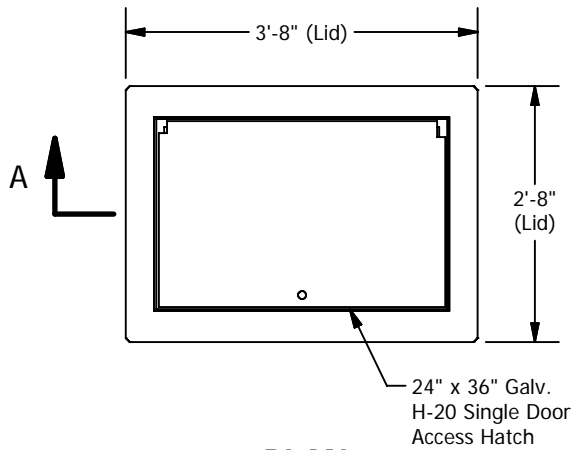


GRANITETM

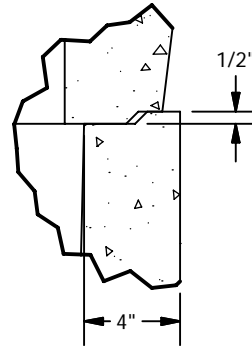
**PRECASTING &
CONCRETE INC.**

4116 BAKERVIEW SPUR • BELLINGHAM, WA. 98226 • (360) 671-2251 • 1-800-808-2251 • FAX: (360) 671-0780

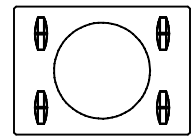
2 x 3 Meter Vault



PLAN

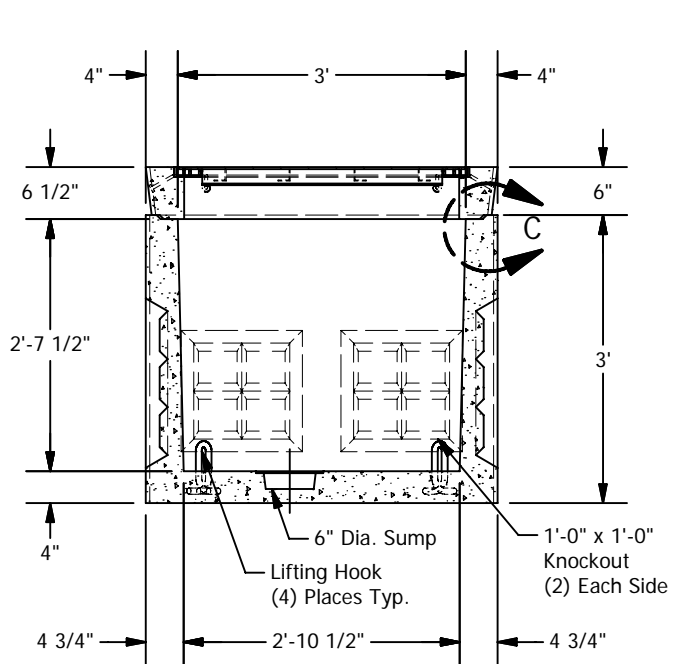


JOINT DETAIL C
SCALE 1/8

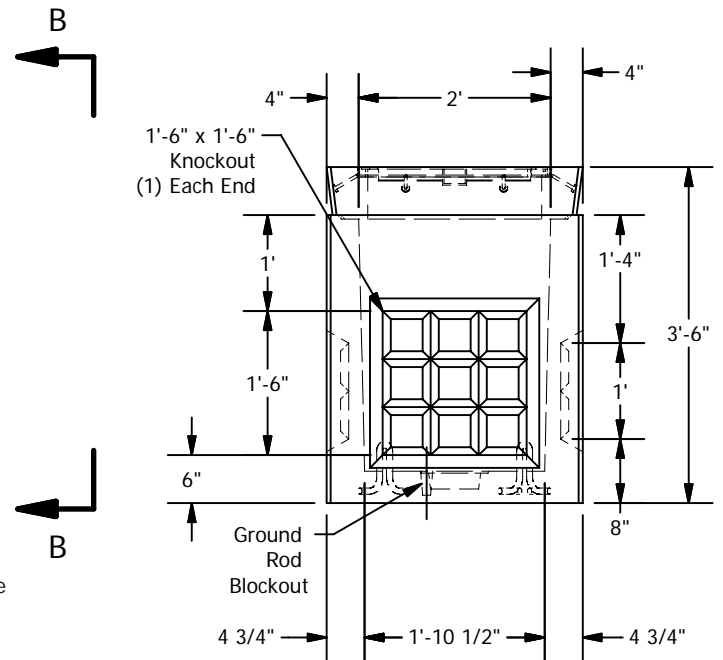


2' x 3' Lid
w/ 24" Opening

LID OPTION



SECTION A-A



VIEW B-B

SPECIFICATIONS

- Concrete: $f_c=5,000$ psi @28 days
- Rebar: ASTM A-615 Grade 60
- Design: ASTM C-857 "Minimum Structural Design Loading for Underground Precast Concrete Utility Structures"
- Loads: AASHTO HS-20
- Backfill with granular free draining material (sand or pea gravel) free of stones or cobbles greater than 4" in dia.
- Holes cored to plan specifications.
- Install lid prior to backfill.
- Items shown are subject to change without notice.