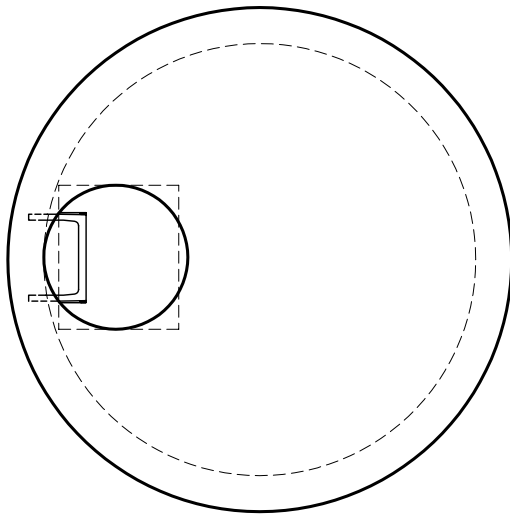


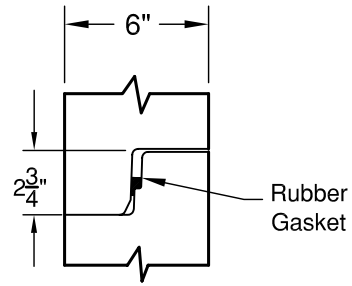
72" Type 2 Catch Basin

Meets or Exceeds WSDOT standard plan B-1e
 Catch Basins Constructed in Accordance with ASTM C-478
 Rubber Gasket Conforms to ASTM C-443
 Polypropylene MH Steps Conform to ASTM C-478

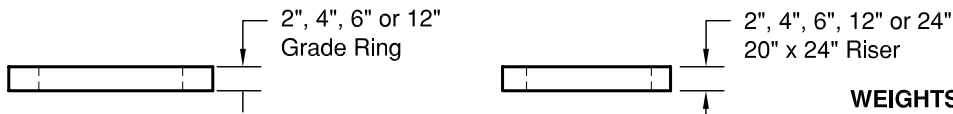


TOP SLAB

24" Diameter Round or 20" x 24" Rectangular Hole



JOINT DETAIL



WEIGHTS:

TOP SLAB:	3,620 lbs
RISER:	1' - 1,500 lbs
	2' - 3,000 lbs
	3' - 4,500 lbs
	4' - 6,000 lbs
	5' - 7,500 lbs
	6' - 9,000 lbs
	7' - 10,500 lbs
	8' - 12,000 lbs
BASE SLAB:	8" - 3,820 lbs

CONCRETE:

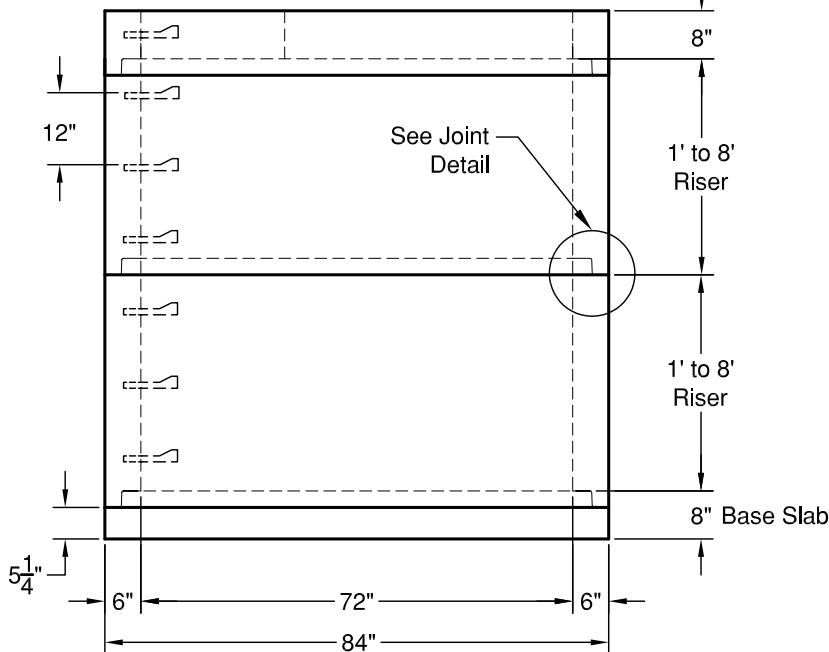
Fc= 4,000 psi @ 28 Days

REINFORCING STEEL:

Welded Wire Fabric: ASTM A 497
 Rebar: ASTM A615 Grade 60
 Riser: 0.18 Sq in./lin ft min.
 Base Slab: 0.35 Sq in./lin ft min.

PIPE PENETRATIONS:

Maximum Hole Size: 60"
 Minimum Distance Hole to Hole: 12"
 Holes Cored to Plan Specifications
 Kor-N-Seal Connectors Available



ELEVATION AA



GRANITE

**PRECASTING &
 CONCRETE INC.**

4116 BAKERVIEW SPUR • BELLINGHAM, WA 98226 • (360) 671-2251 • 1-800-808-2251 • FAX: (360) 671-0780