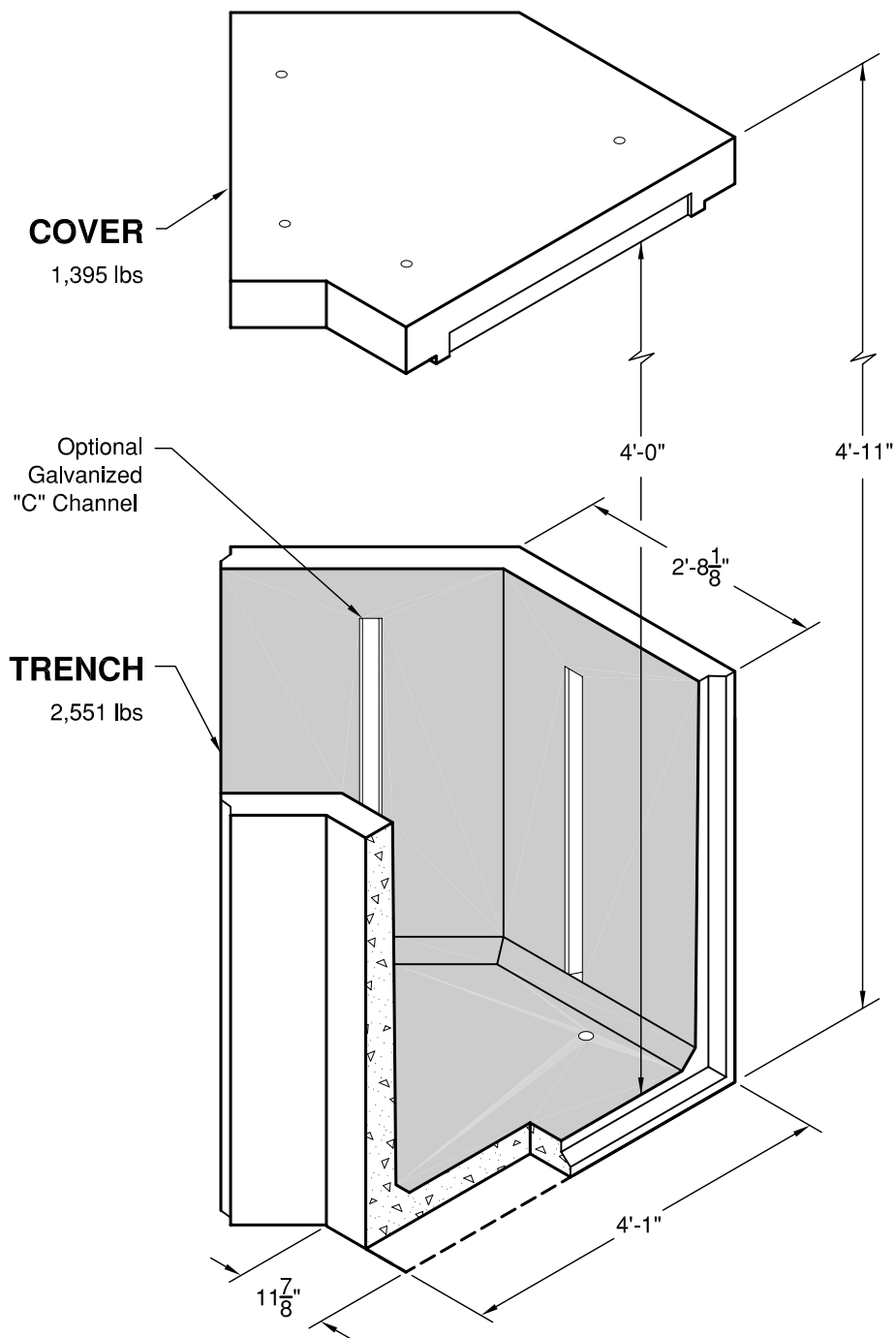


# 4048 45° Precast Trench



310

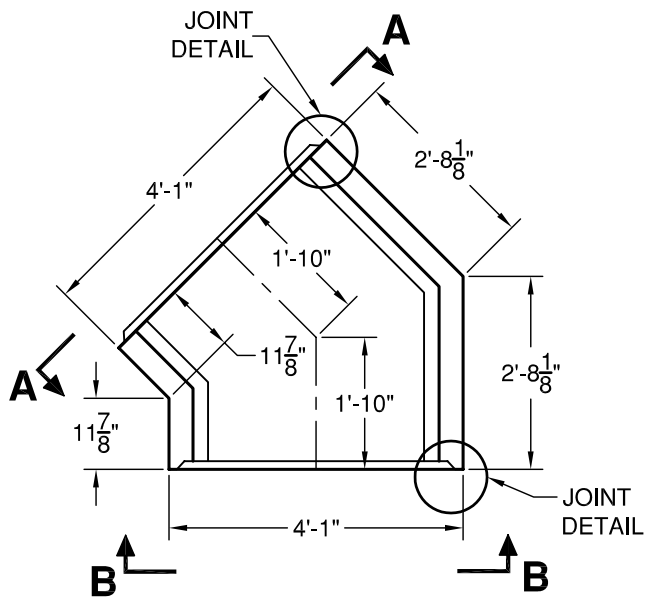


**GRANITE**

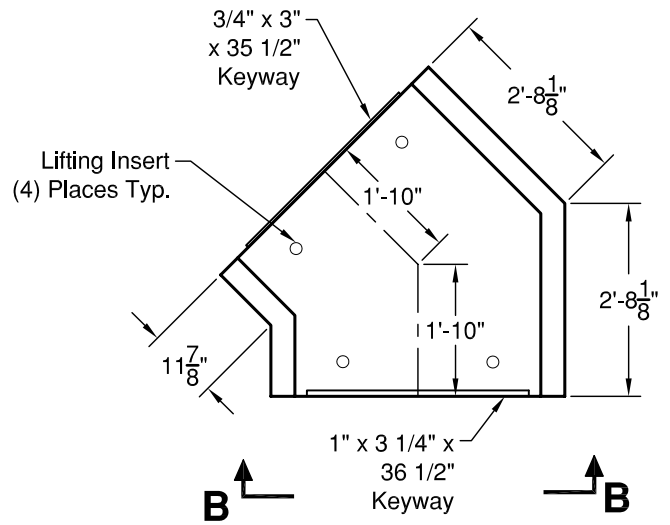
**PRECASTING &  
CONCRETE INC.**

4116 BAKERVIEW SPUR • BELLINGHAM, WA 98226 • (360) 671-2251 • 1-800-808-2251 • FAX: (360) 671-0780

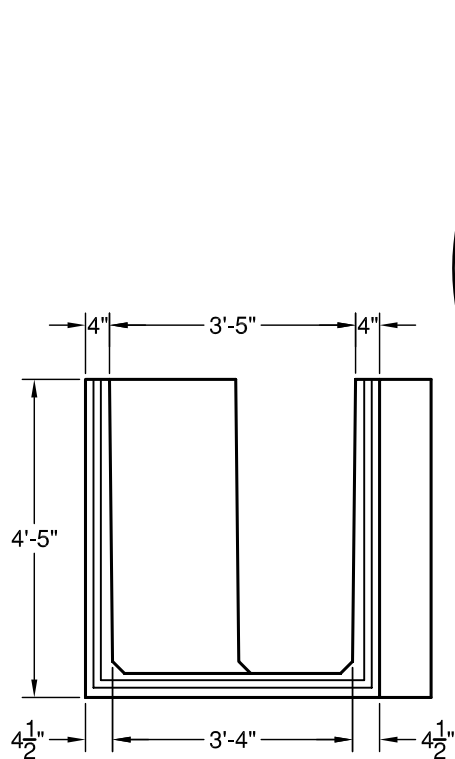
# 4048 45° Precast Trench



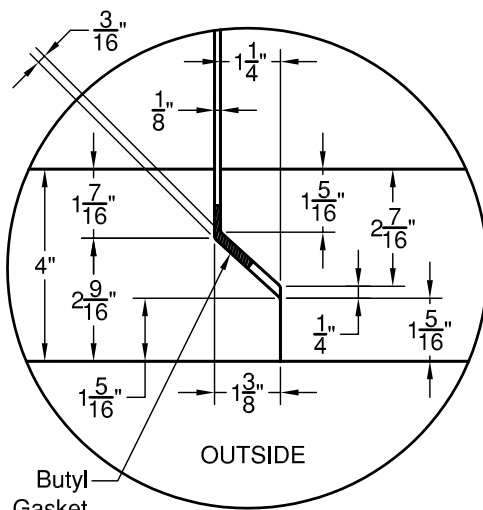
**PLAN**



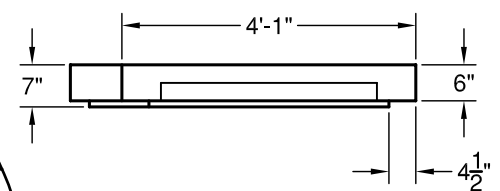
**LID PLAN**



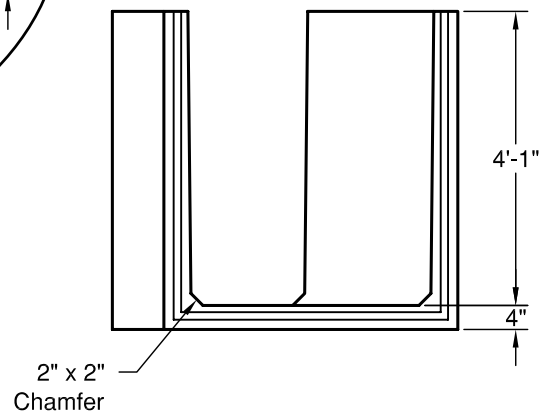
**ELEVATION AA**



**JOINT DETAIL**



**LID ELEVATION BB**



**ELEVATION BB**

**SPECIFICATIONS**

1. Concrete: Fc=4000 psi @28 days
2. Rebar: ASTM A-615 Grade 60.
3. Design: ASTM C-857 "Minimum Structural Design Loading for Underground Precast Concrete Utility Structures".
4. Loads: AASHTO HS-20
5. Backfill with granular free draining material (sand or pea gravel) free of stones or cobbles greater than 4" in dia.
6. Items shown are subject to change without notice.