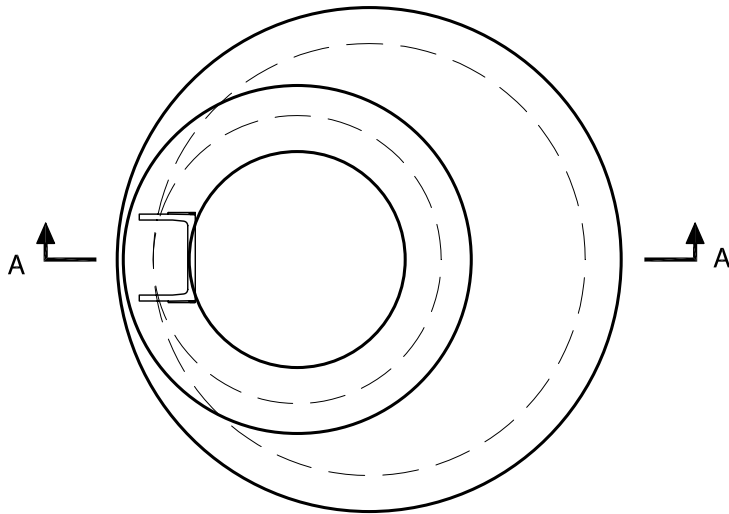
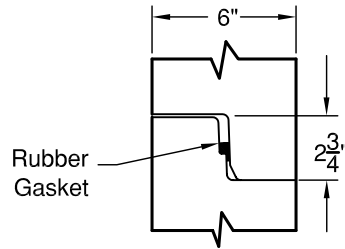


72" Type II Catch Basin Alaska Specifications

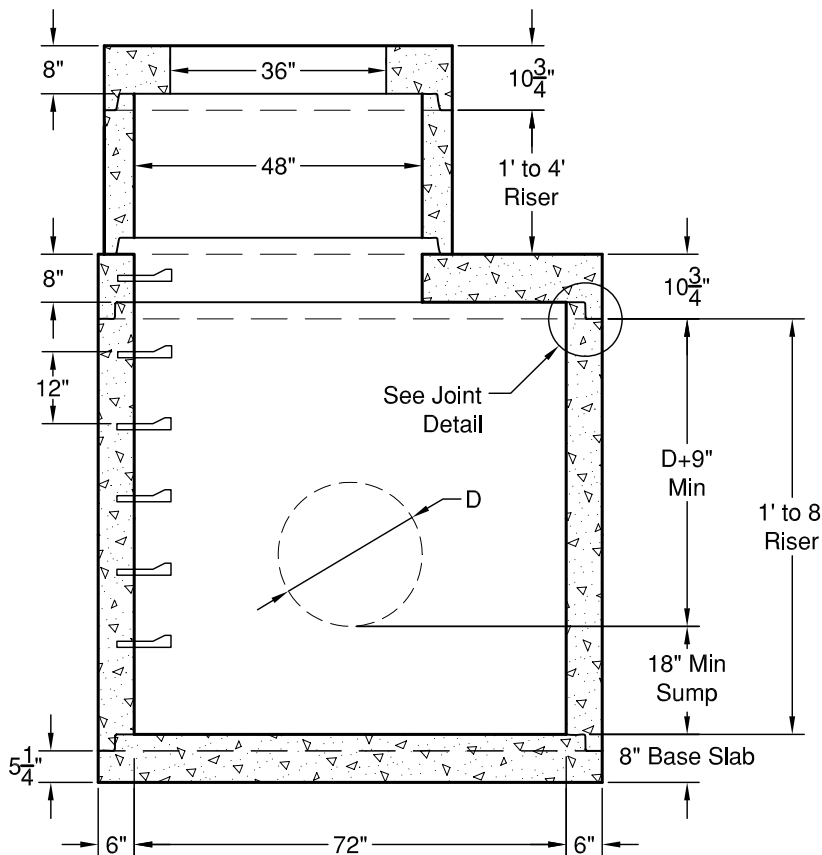
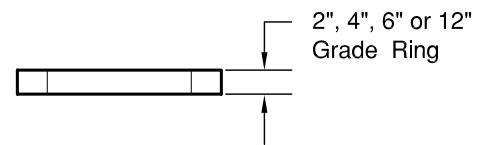
Meets or Exceeds AKDOT Standard plan D-36.00 and
City and Borough of Juneau Standard Plan 303.
Constructed in Accordance with
ASTM C-478 & C-478-69.



PLAN VIEW



JOINT DETAIL



SECTION AA

WEIGHTS:

48" TOP SLAB: 8" 1,150 lbs
48" RISER: 1' - 950 lbs
2' - 1,800 lbs
3' - 2,700 lbs
4' - 3,600 lbs

72" TOP SLAB: 8" - 2,679 lbs
72" RISER: 1' - 1,500 lbs
2' - 3,000 lbs
3' - 4,500 lbs
4' - 6,000 lbs
5' - 7,500 lbs
6' - 9,000 lbs
7' - 10,500 lbs
8' - 12,000 lbs

BASE SLAB: 12" - 5,300 lbs

CONCRETE:

F_c = 4,000 psi @ 28 Days

REINFORCING STEEL:

Welded Wire Fabric: ASTM A185
Rebar: ASTM A615 Grade 60
Top Slab: 0.62 Sq in./lin ft e.w. min.
Riser: 0.18 Sq in./lin ft min.
Base Slab: 0.35 Sq in./ft e.w. min.

PIPE PENETRATIONS:

Maximum Hole Size: 60"
Minimum Distance Hole to Hole: 12"
Holes Cored to Plan Specifications
Kor-N-Seal Connectors Available

© 2011 Granite Precasting & Concrete, Inc.



GRANITE™ PRECASTING & CONCRETE INC.

4116 BAKERVIEW SPUR • BELLINGHAM, WA 98226 • (360) 671-2251 • 1-800-808-2251 • FAX: (360) 671-0780