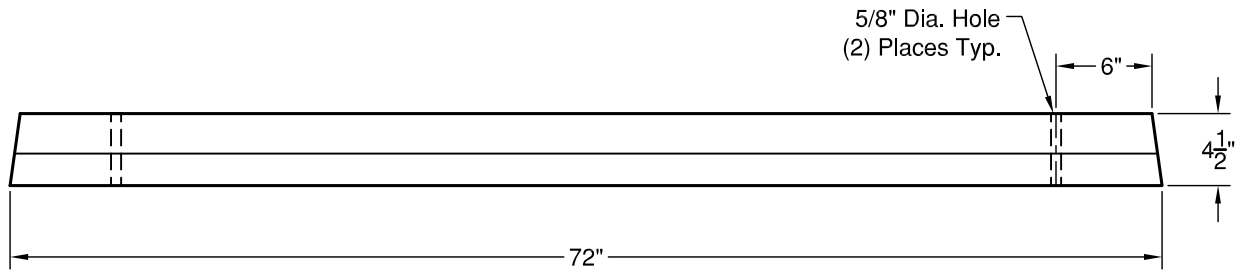
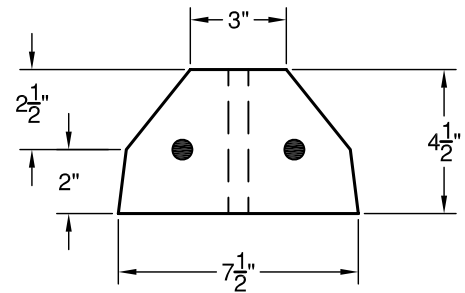
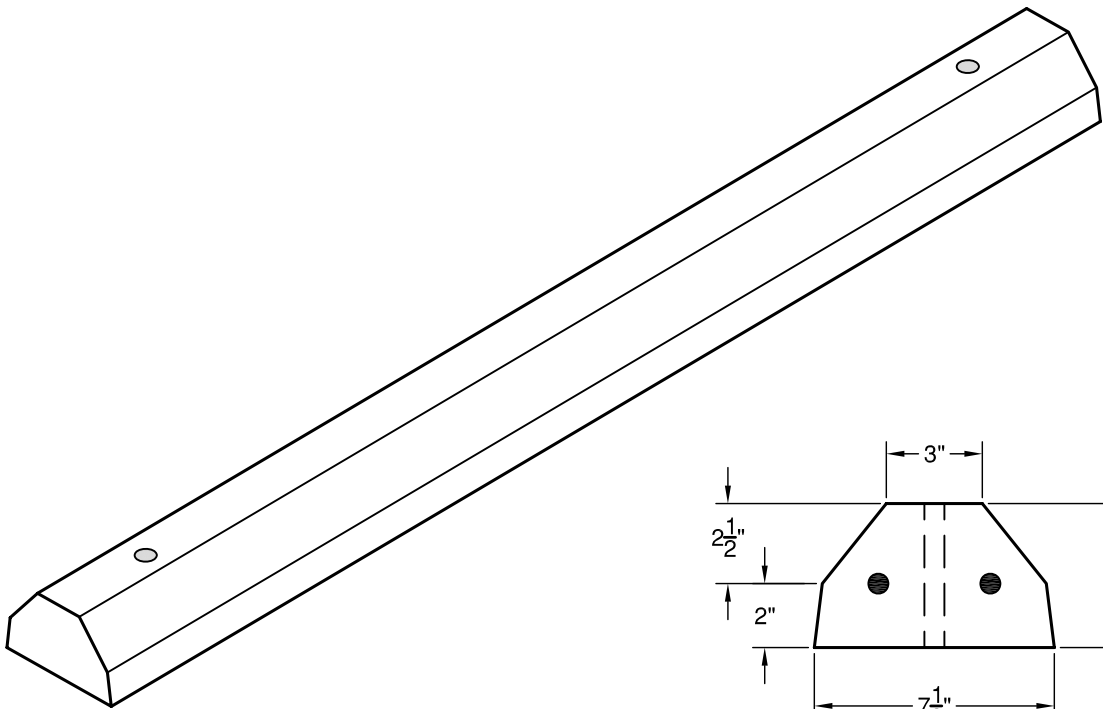


7 1/2" x 72" Wheel Stop



ELEVATION



SECTION

WEIGHT: 160 lbs

CONCRETE:
Fc= 4,000 psi @ 28 Days

REINFORCING STEEL:
(2) - #4 Rebar
ASTM A-615 Grade 60

© 2011 Granite Precasting & Concrete, Inc.



GRANITE™ PRECASTING & CONCRETE INC.

4116 BAKERVIEW SPUR • BELLINGHAM, WA 98226 • (360) 671-2251 • 1-800-808-2251 • FAX: (360) 671-0780