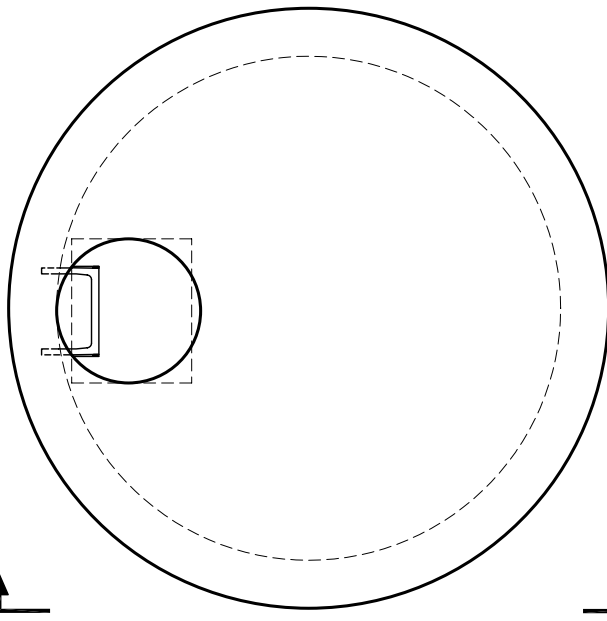


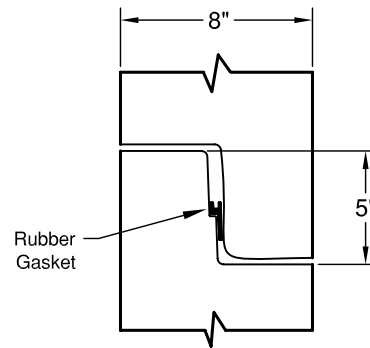
84" Type 2 Catch Basin

Meets or Exceeds WSDOT Standard Plan B-10.20-00
 Catch Basins Constructed in Accordance with ASTM C-478
 Rubber Gasket Conforms to ASTM C-443
 Polypropylene MH Steps Conform to ASTM C-478

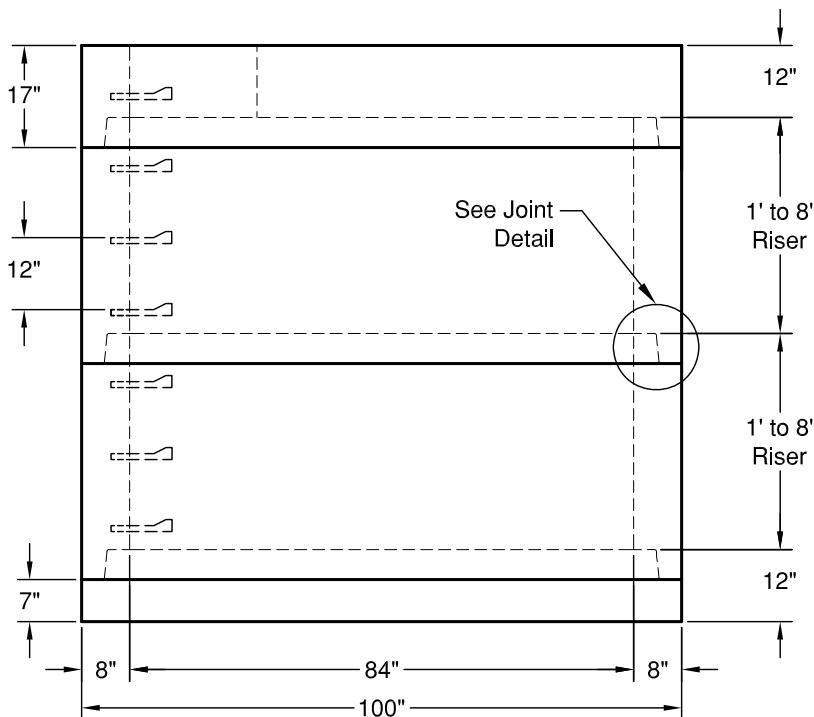
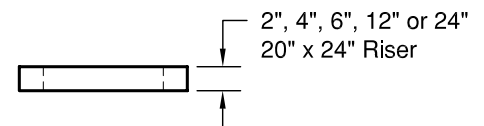
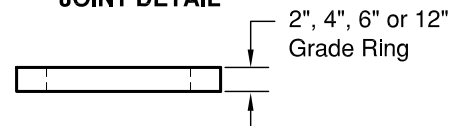


TOP SLAB

24" Diameter Round or 20" x 24" Rectangular Hole



JOINT DETAIL



ELEVATION AA

WEIGHTS:

TOP SLAB:	12" -	8,700 lbs
RISER:	1' -	2,400 lbs
	2' -	4,800 lbs
	3' -	7,200 lbs
	4' -	9,600 lbs
	5' -	12,000 lbs
	6' -	14,400 lbs
	7' -	16,660 lbs
	8' -	19,200 lbs
BASE SLAB:	12" -	7,540 lbs

CONCRETE:

F_c = 4,000 psi @ 28 Days

REINFORCING STEEL:

Welded Wire Fabric: ASTM A 497
 Rebar: ASTM A615 Grade 60
 Top Slab: 0.75 Sq in./ft e.w. min.
 Riser: 0.21 Sq in./lin ft min.
 Base Slab: 0.37 Sq in./lin ft min.

PIPE PENETRATIONS:

Maximum Hole Size: 72"
 Minimum Distance Hole to Hole: 12"
 Holes Cored to Plan Specifications
 Kor-N-Seal Connectors Available

© 2011 Granite Precasting & Concrete, Inc.



GRANITE™ PRECASTING & CONCRETE INC.

4116 BAKERVIEW SPUR • BELLINGHAM, WA 98226 • (360) 671-2251 • 1-800-808-2251 • FAX: (360) 671-0780