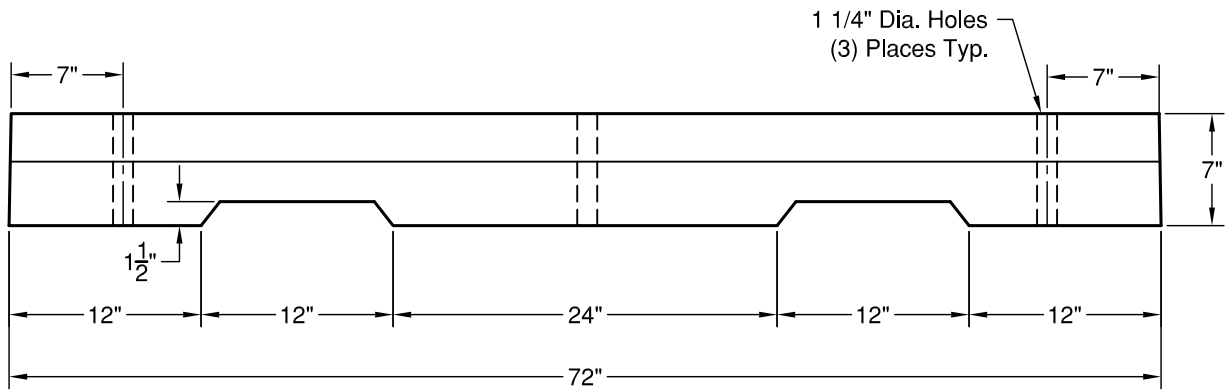
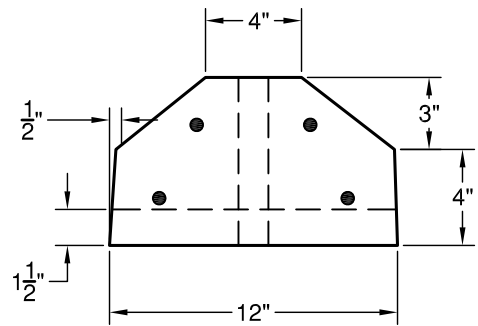
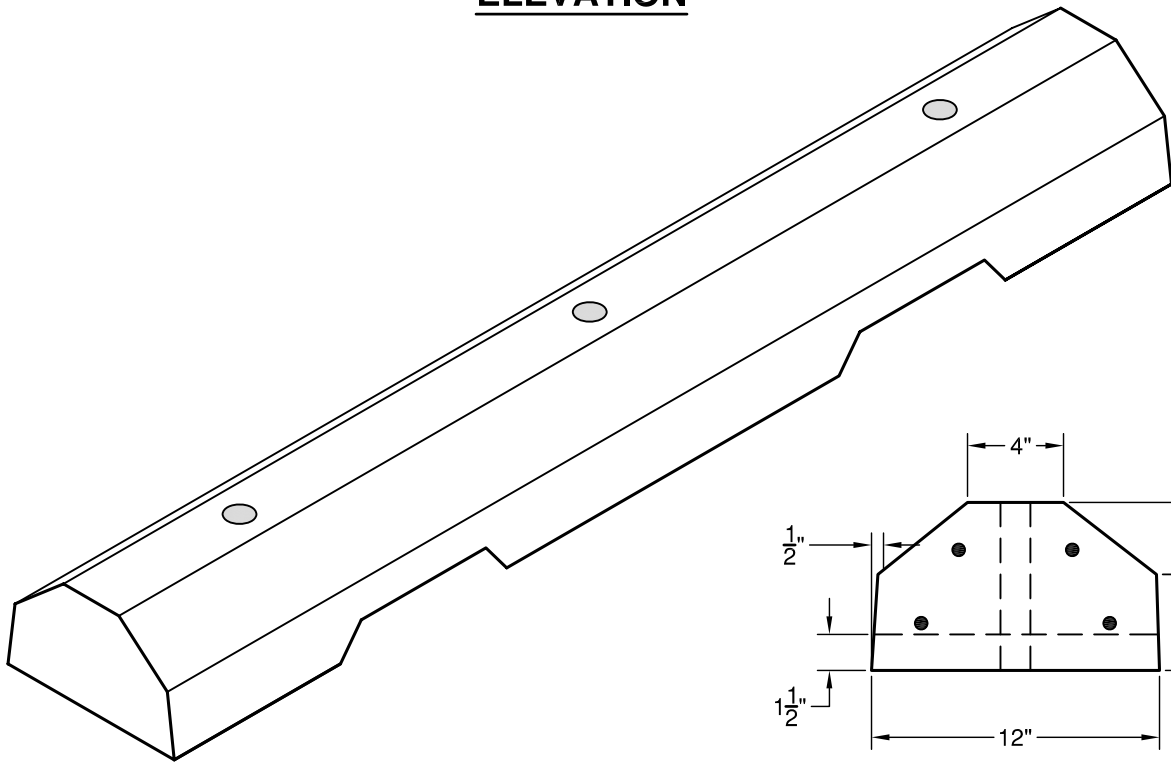


# 12" x 72" Wheel Stop



**ELEVATION**



**SECTION**

**WEIGHT:** 380 lbs

**CONCRETE:**  
F<sub>c</sub> = 4,000 psi @ 28 Days

**REINFORCING STEEL:**  
(4) - #4 Rebar  
ASTM A-615 Grade 60

© 2011 Granite Precasting & Concrete, Inc.



**GRANITE™ PRECASTING & CONCRETE INC.**

4116 BAKERVIEW SPUR • BELLINGHAM, WA 98226 • (360) 671-2251 • 1-800-808-2251 • FAX: (360) 671-0780