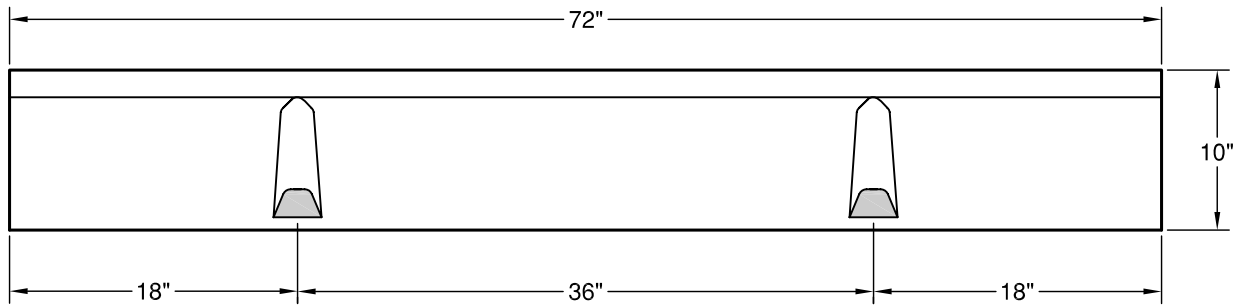
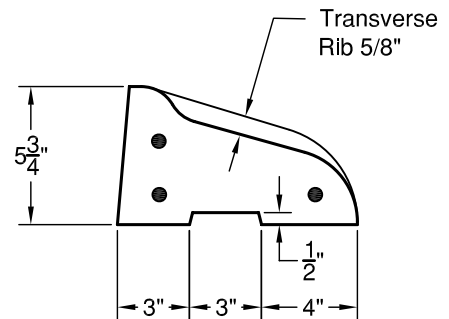
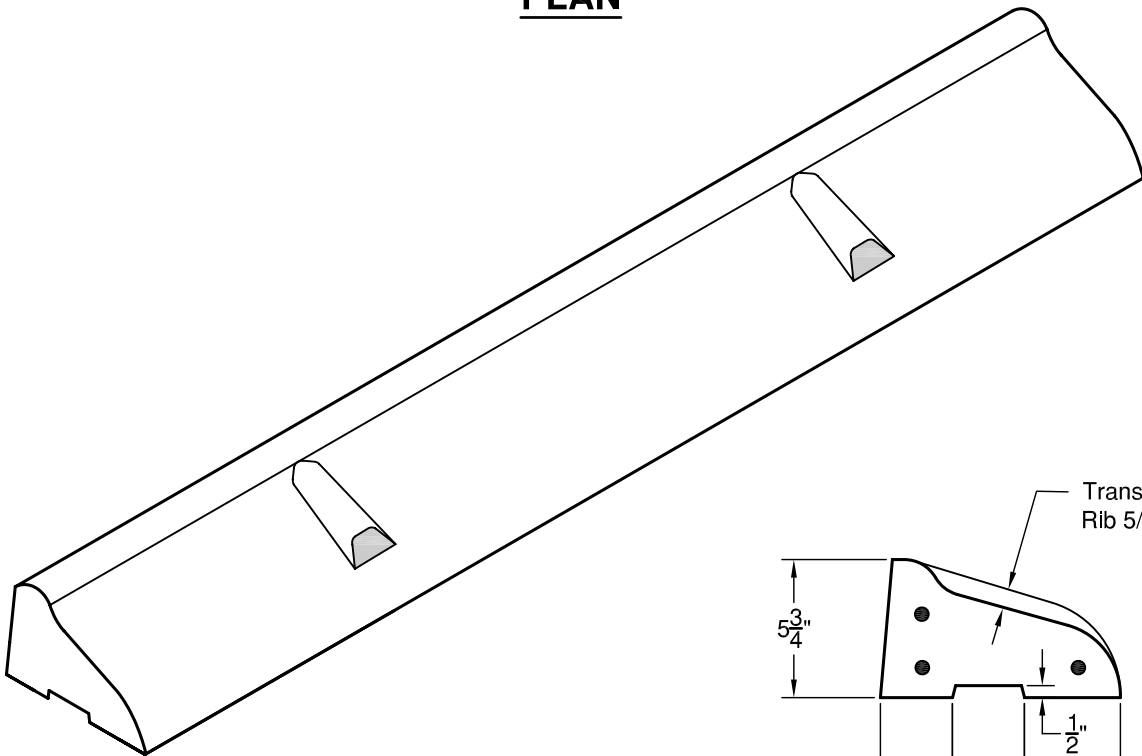


Type 'A' Traffic Curb

WSDOT Standard Plan F-2



PLAN



SECTION

WEIGHT: 240 lbs

CONCRETE:

Fc= 4,000 psi @ 28 Days

REINFORCING:

(3) - #3 Rebar

ASTM A-615 Grade 60

© 2011 Granite Precasting & Concrete, Inc.



GRANITE™ PRECASTING & CONCRETE INC.

4116 BAKERVIEW SPUR • BELLINGHAM, WA 98226 • (360) 671-2251 • 1-800-808-2251 • FAX: (360) 671-0780