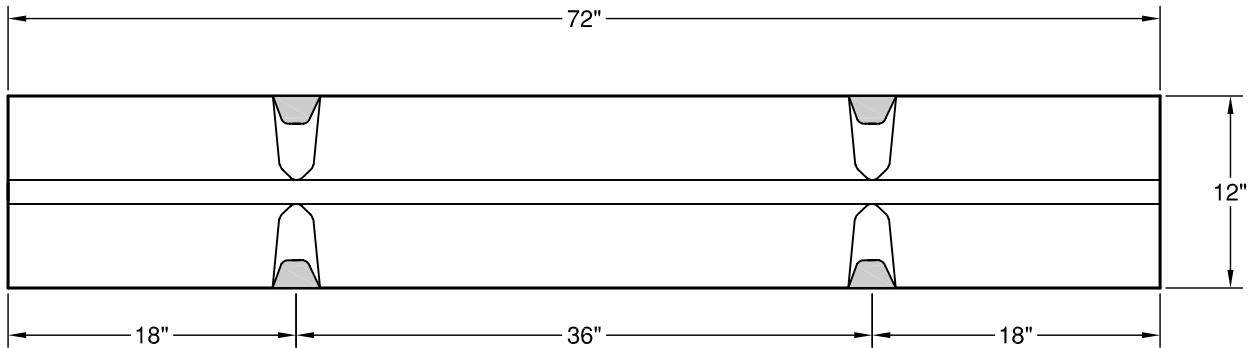
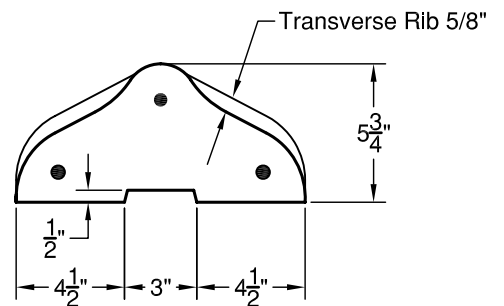
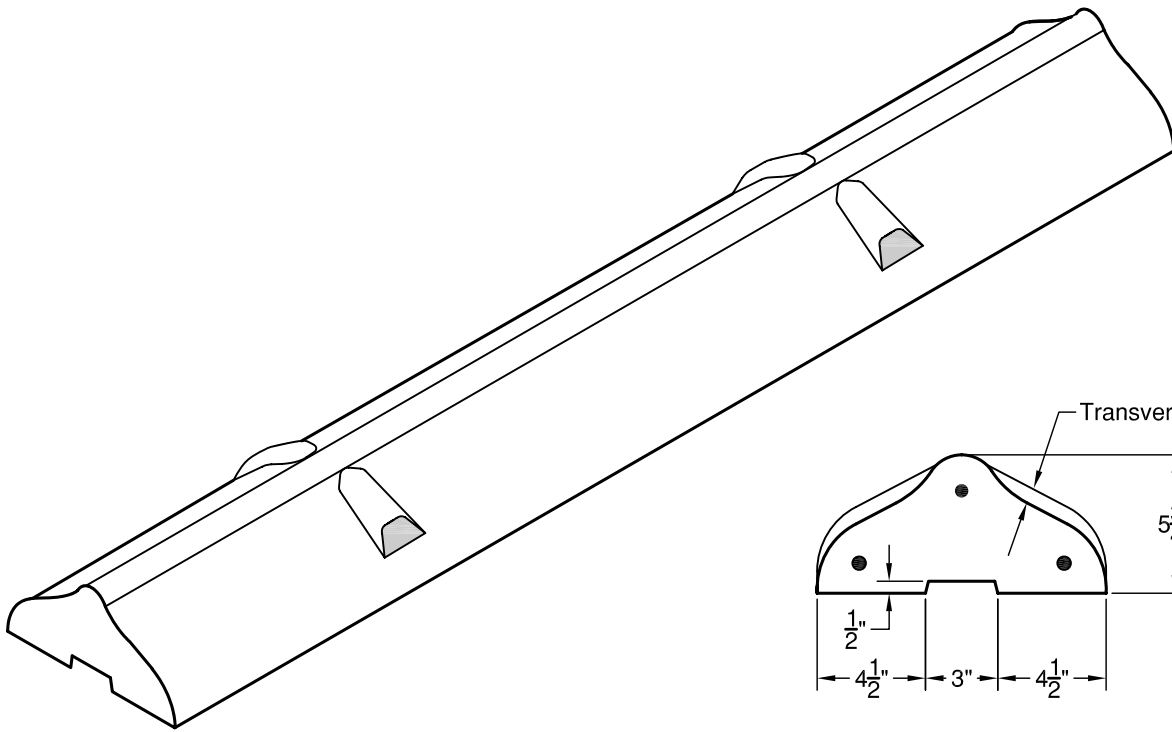


# Type 'C' Traffic Curb

WSDOT Standard Plan F-2



**PLAN**



**SECTION**

**WEIGHT:** 260 lbs

**CONCRETE:**

Fc= 4,000 psi @ 28 Days

**REINFORCING:**

(3) - #3 Rebar

ASTM A-615 Grade 60

© 2011 Granite Precasting & Concrete, Inc.



**GRANITE™ PRECASTING & CONCRETE INC.**

4116 BAKERVIEW SPUR • BELLINGHAM, WA 98226 • (360) 671-2251 • 1-800-808-2251 • FAX: (360) 671-0780