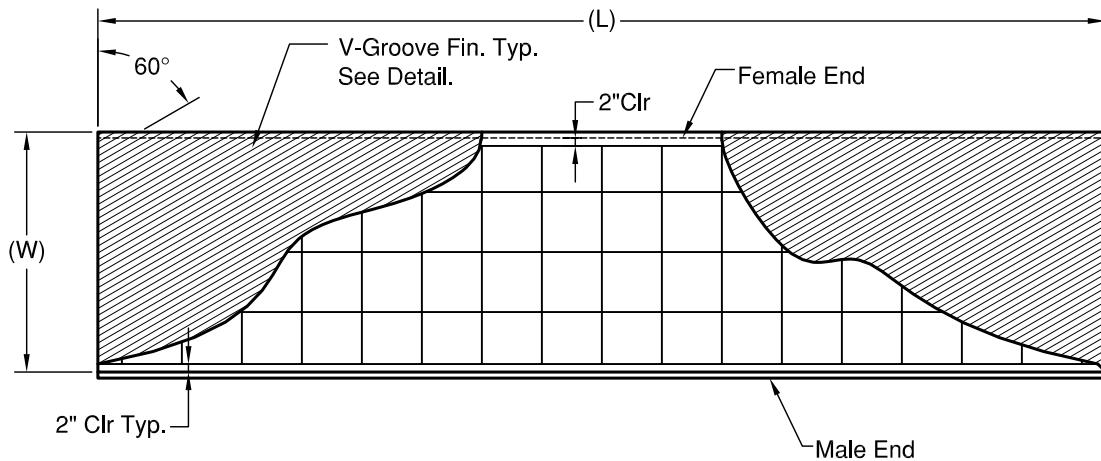


Boat Plank

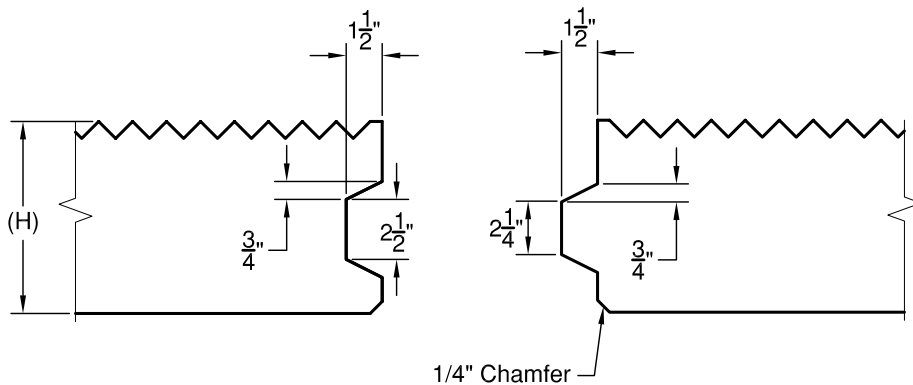


PLAN

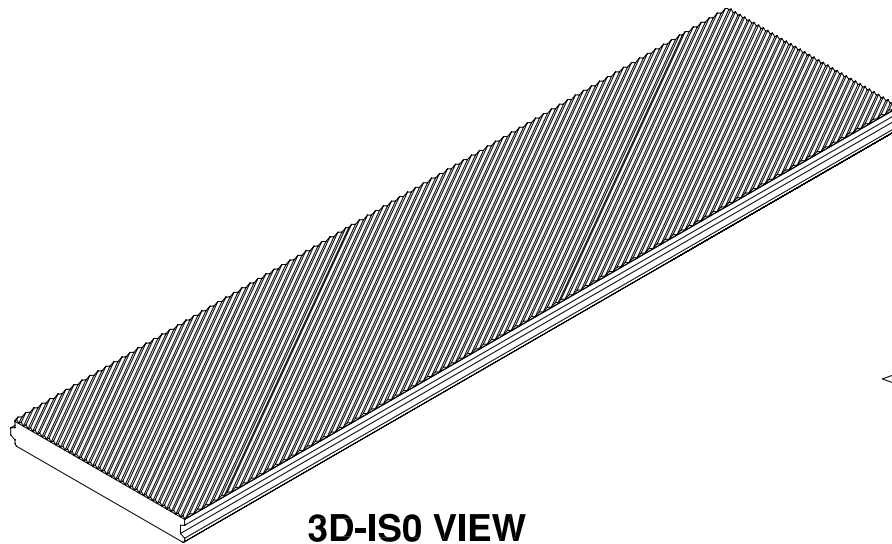
GENERAL NOTES & SPECIFICATIONS:

Precast Concrete Boat Launch Planks:
 Concrete: Class Type III
 Reinforcement: Grade 60

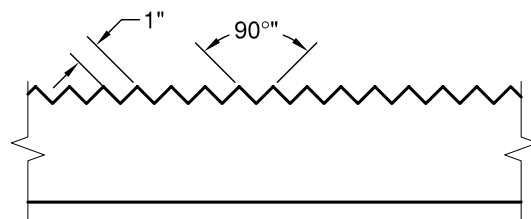
Concrete: $F_c=5,000$ psi @28 days
 Rebar: ASTM A-615 Grade 60.
 Design: ASTM C-857 "Minimum Structural"



JOINT DETAIL



3D-IS0 VIEW



V-GROOVE FINISH

© 2011 Granite Precasting & Concrete, Inc.



GRANITE

PRECASTING & CONCRETE INC.

4116 BAKERVIEW SPUR • BELLINGHAM, WA 98226 • (360) 671-2251 • 1-800-808-2251 • FAX: (360) 671-0780