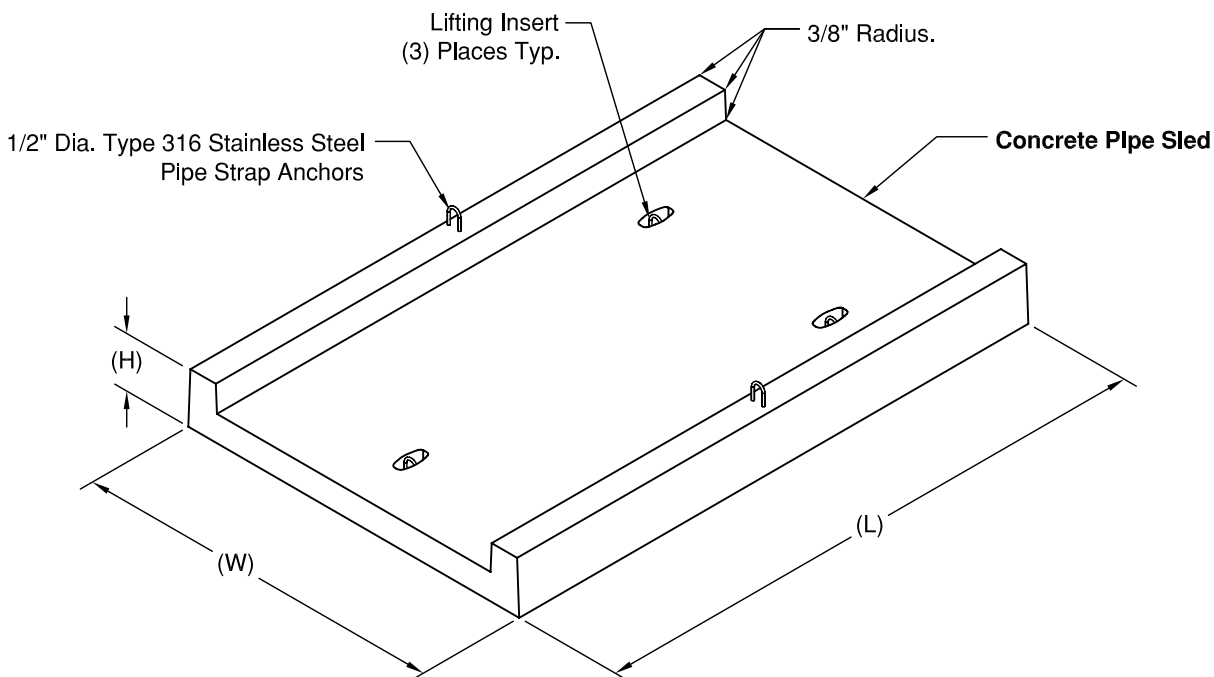
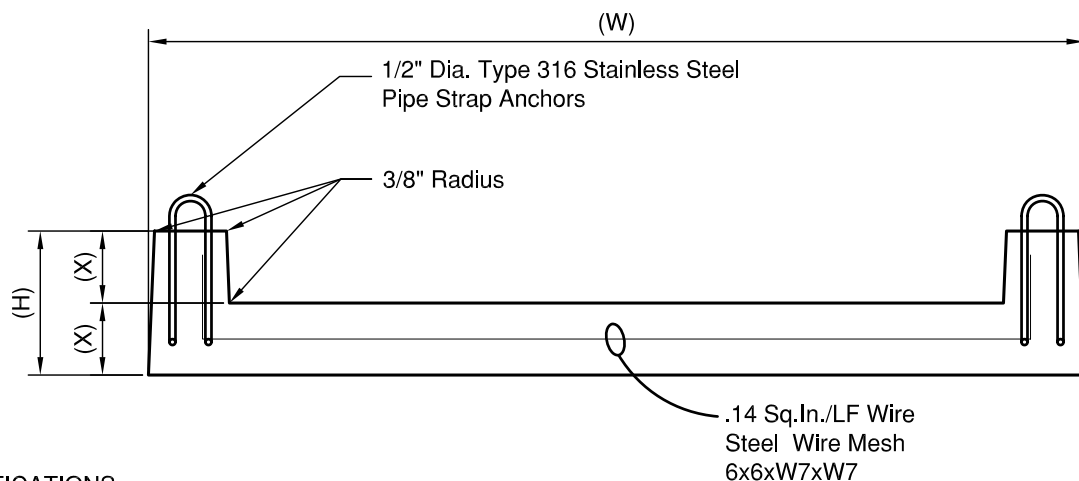


Concrete Pipe Sled



3D-ISO VIEW



END VIEW

SPECIFICATIONS

Concrete: $F_c=5000$ psi @28 days

Rebar: ASTM A-615 Grade 60

Design: ASTM C-857 "Minimum Structural Design Loading
for Underground Precast Concrete Utility Structures"

Loads: AASHTO HS-20

© 2011 Granite Precasting & Concrete, Inc.



GRANITE

**PRECASTING &
CONCRETE INC.**

4116 BAKERVIEW SPUR • BELLINGHAM, WA 98226 • (360) 671-2251 • 1-800-808-2251 • FAX: (360) 671-0780