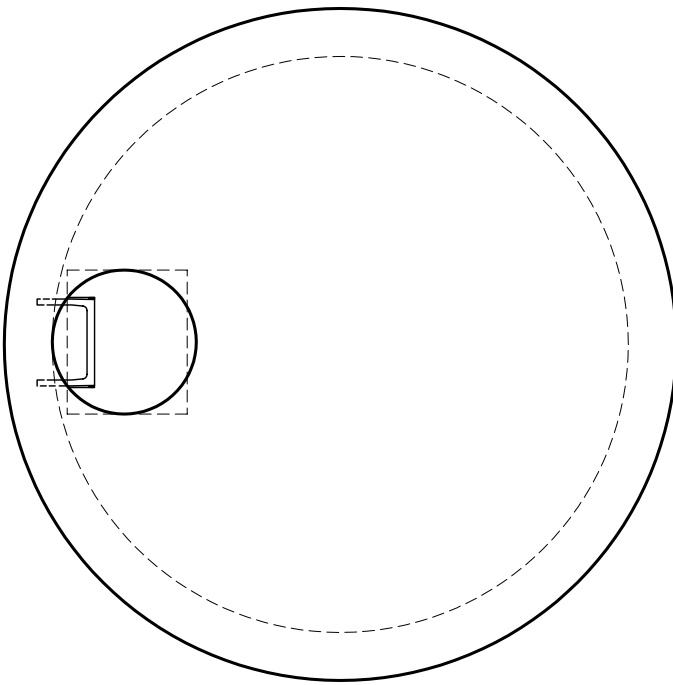


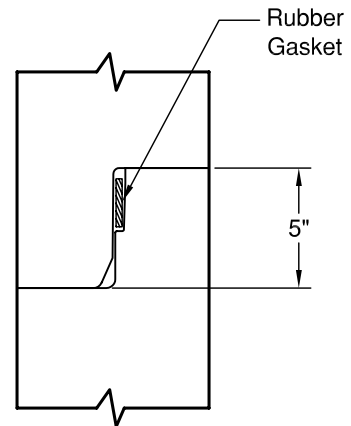
96" Type 2 Catch Basin

Meets or Exceeds WSDOT standard plan B-1e
 Catch Basins Constructed in Accordance with ASTM C-478
 Rubber Gasket Conforms to ASTM C-443
 Polypropylene MH Steps Conform to ASTM C-478

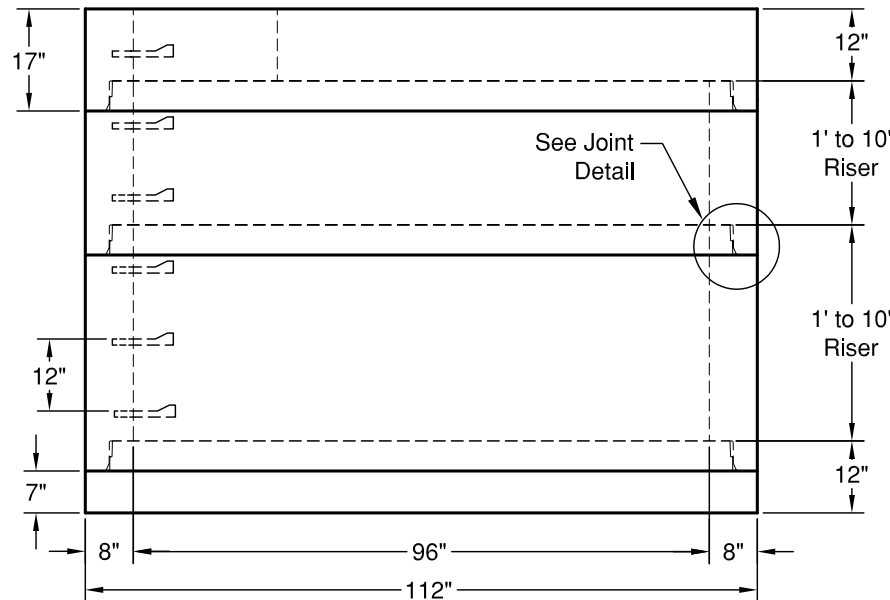
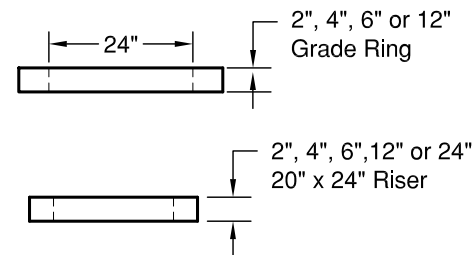


TOP SLAB

24" Diameter Round or 20" x 24" Rectangular Hole



JOINT DETAIL



ELEVATION AA

WEIGHTS:

TOP SLAB: 10,060 lbs
 RISER: 2,540 lbs/ft
 BASE SLAB: 9,980 lbs

CONCRETE:

Fc= 4,000 psi @ 28 Days

REINFORCING STEEL:

Welded Wire Fabric: ASTM A 497
 Rebar: ASTM A615 Grade 60
 Riser: 0.24 Sq in./lin ft min.
 Base Slab: 0.39 Sq in./lin ft min.

PIPE PENETRATIONS:

Maximum Hole Size: 84"
 Minimum Distance Hole to Hole: 12"
 Holes Cored to Plan Specifications
 Kor-N-Seal Connectors Available



GRANITE

**PRECASTING &
 CONCRETE INC.**

4116 BAKERVIEW SPUR • BELLINGHAM, WA 98226 • (360) 671-2251 • 1-800-808-2251 • FAX: (360) 671-0780