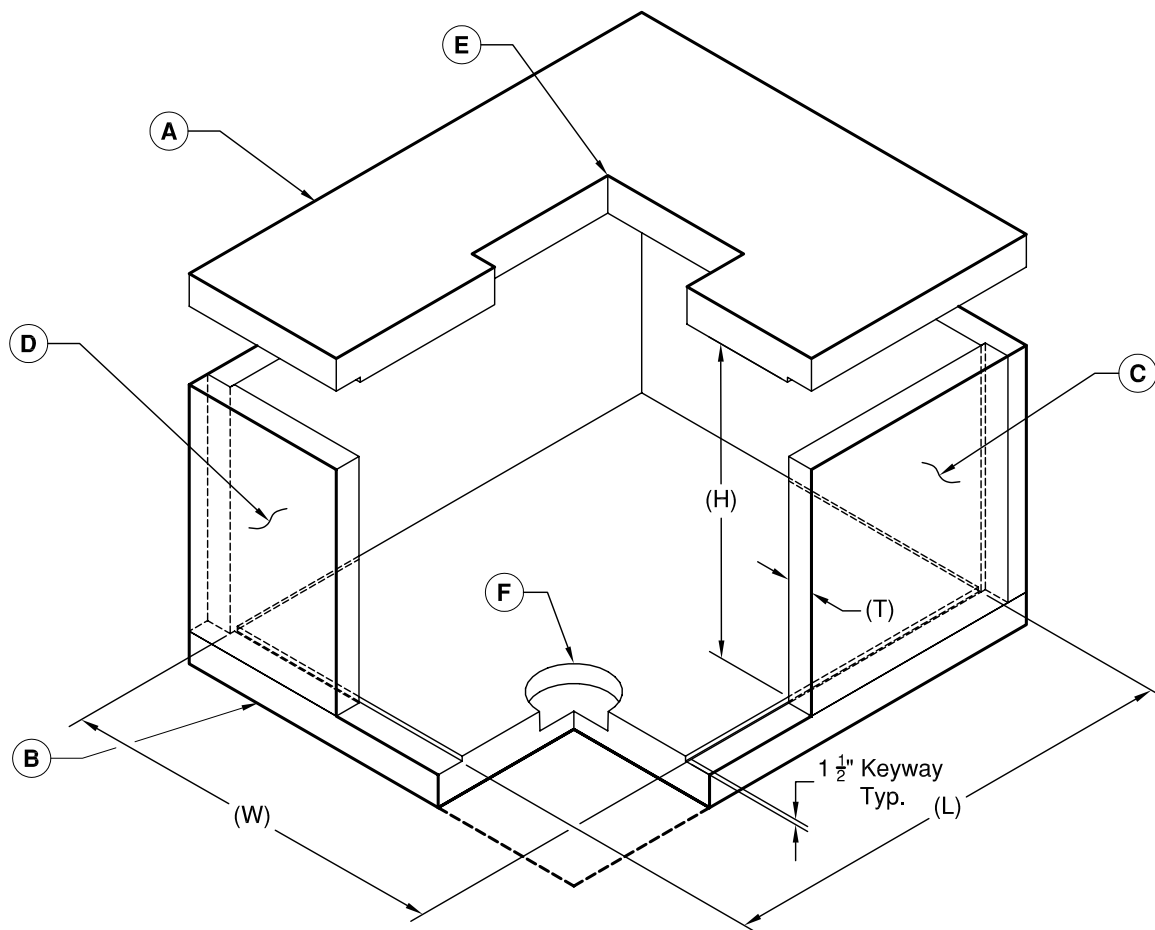


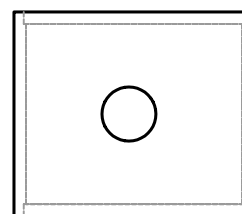
# PANEL VAULT SERIES



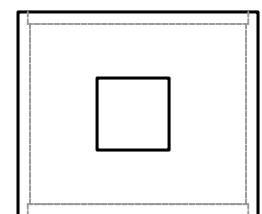
## LID OPTIONS

- (W) VARIABLE WIDTH - I.D.
- (L) VARIABLE LENGTH - I.D.
- (H) VARIABLE HEIGHT - I.D.
- (T) VARIABLE THICKNESS

- Ⓐ TOP SLAB
- Ⓑ BOTTOM SLAB
- Ⓒ SIDE PANEL
- Ⓓ END PANEL
- Ⓔ COVERS - OPTIONAL HATCHES-FRAME & GRATES
- Ⓕ SUMP -OPTIONAL SIZES



MANHOLE  
ACCESS OPENING



VAULT  
ACCESS OPENING

### SPECIFICATIONS

1. Concrete:  $F_c=5000$  psi @28 days
2. Rebar: ASTM A-615 Grade 60
3. Design: ASTM C-857 "Minimum Structural Design Loading for Underground Precast Concrete Utility Structures"
4. Loads: AASHTO HS-20

342



# GRANITE

# PRECASTING & CONCRETE INC.

4116 BAKERVIEW SPUR • BELLINGHAM, WA 98226 • (360) 671-2251 • 1-800-808-2251 • FAX: (360) 671-0780