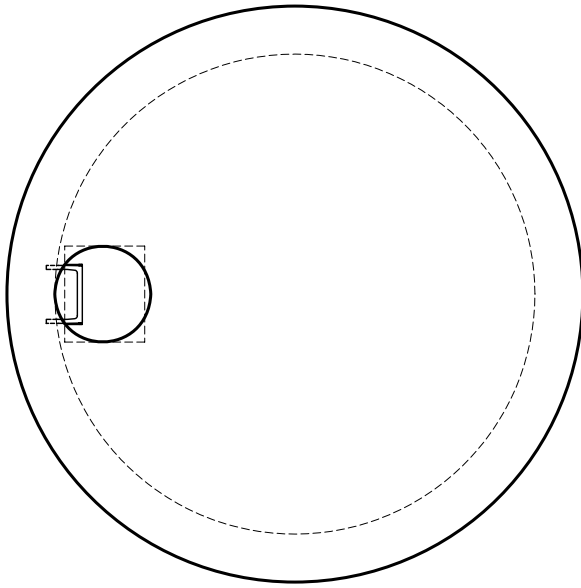


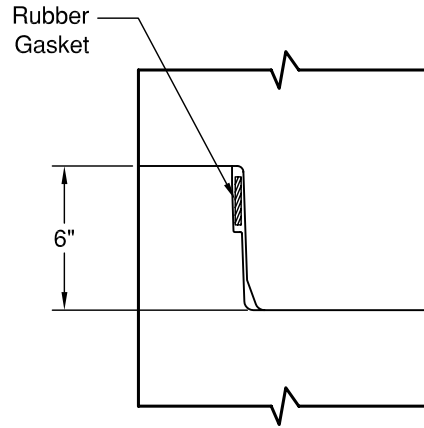
# 1 20" Type 2 Catch Basin

Meets or Exceeds WSDOT Standard Plan B-10.20-00  
 Manholes Constructed in Accordance with ASTM C-478  
 Rubber Gasket Conforms to ASTM C-443  
 Polypropylene MH Steps Conform to ASTM C-478

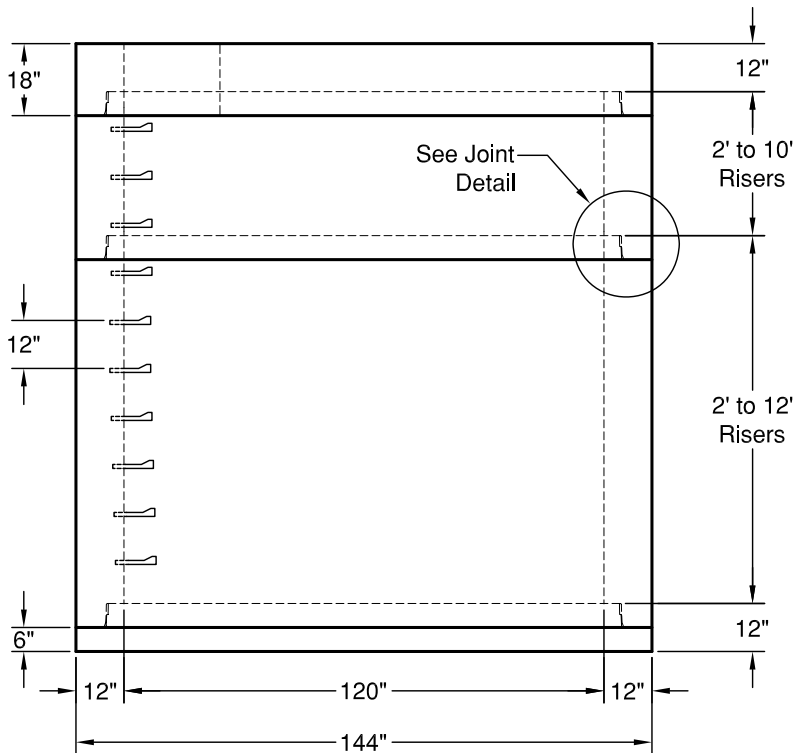
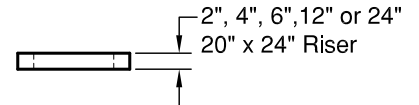
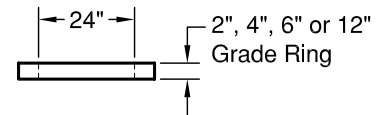


**TOP SLAB**

24" Diameter Round or 20" x 24" Rectangular Hole



**JOINT DETAIL**



**ELEVATION AA**

**WEIGHTS:**

TOP SLAB: 17,600 lbs  
 RISER: 5,200 lbs/ft  
 BASE SLAB: 16,000 lbs

**CONCRETE:**

F<sub>c</sub> = 4,000 psi @ 28 Days

**REINFORCING STEEL:**

Welded Wire Fabric: ASTM A185  
 Rebar: ASTM A615 Grade 60  
 Top Slab: 0.20 Sq in./ft e.w. min. top  
 0.53 Sq in./ft e.w. min. bot.  
 Riser: 0.40 Sq in./lin ft min.  
 Base Slab: 0.70 Sq in./ft e.w.min.

**PIPE PENETRATIONS:**

Maximum Hole Size: 108"  
 Minimum Hole to Hole: 12"  
 Holes Cored to Plan Specifications  
 Kor-N-Seal Connections Available

© 2011 Granite Precasting & Concrete, Inc.



**GRANITE™**

**PRECASTING & CONCRETE INC.**

4116 BAKERVIEW SPUR • BELLINGHAM, WA 98226 • (360) 671-2251 • 1-800-808-2251 • FAX: (360) 671-0780