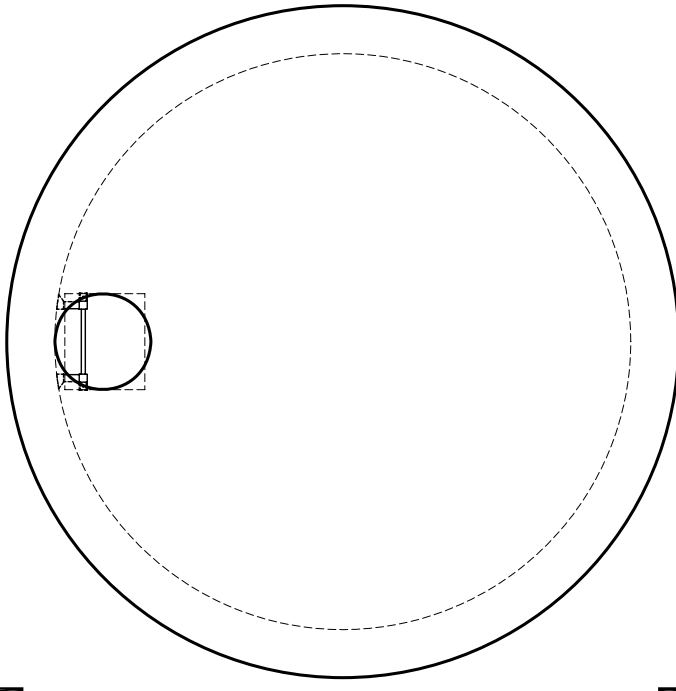


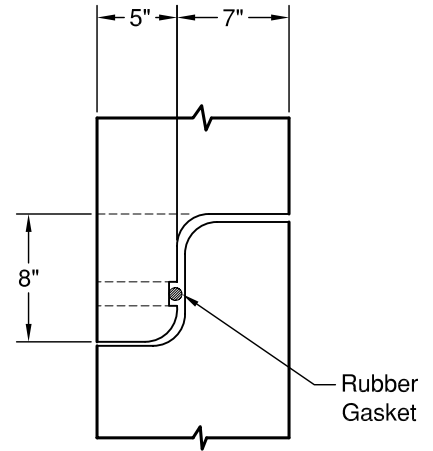
144" Type 2 Catch Basin

Meets or Exceeds WSDOT Standard Plan B-10.20-00
 Manholes Constructed in Accordance with ASTM C-478
 Rubber Gasket Conforms to ASTM C-443
 Polypropylene MH Steps Conform to ASTM C-478

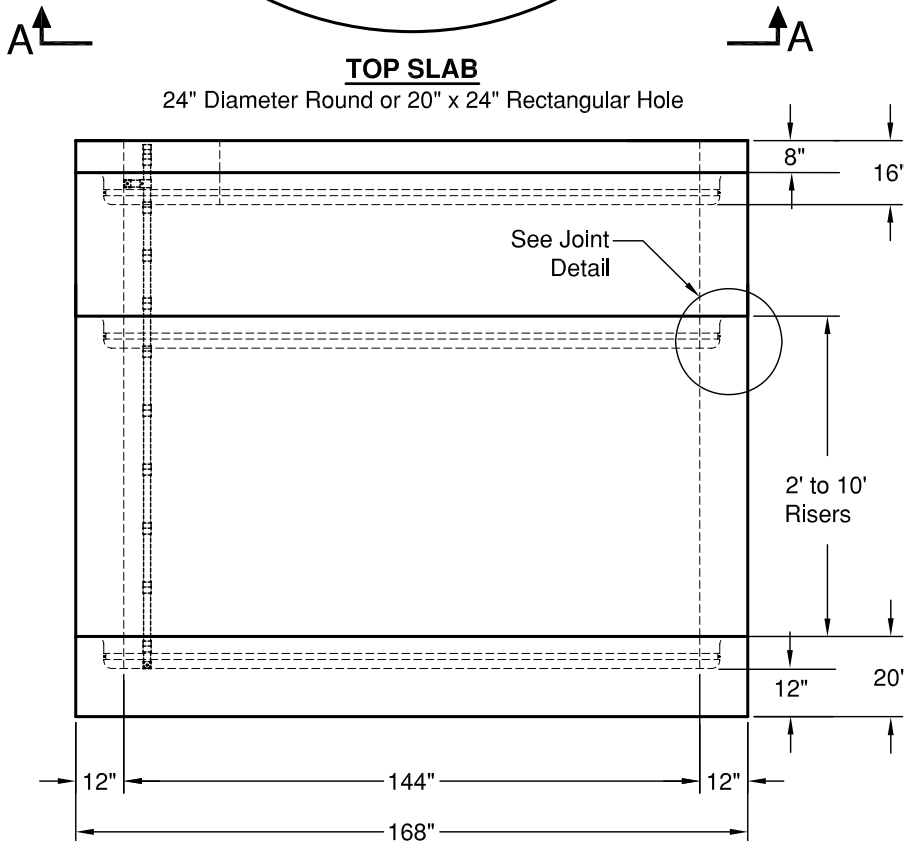
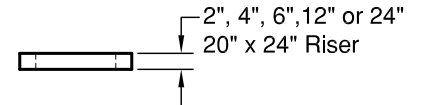
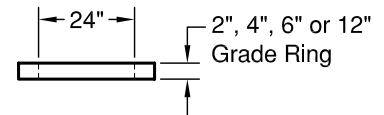


TOP SLAB

24" Diameter Round or 20" x 24" Rectangular Hole



JOINT DETAIL



SECTION AA

WEIGHTS:

TOP SLAB: 30,000 lbs
 RISER: 6,200 lbs/ft
 BASE SLAB: 25,300 lbs

CONCRETE:

Fc= 4,000 psi @ 28 Days

REINFORCING STEEL:

Welded Wire Fabric: ASTM A185
 Rebar: ASTM A615 Grade 60
 Top Slab: 0.20 Sq in./ft e.w. min. top
 0.66 Sq in./ft e.w. min. bot.
 Riser: 0.36 Sq in./lin ft min.
 Base Slab: 0.72 Sq in./ft e.w.min.

PIPE PENETRATIONS:

Holes Cored to Plan Specifications
 Kor-N-Seal Connections Available

© 2011 Granite Precasting & Concrete, Inc.



GRANITE™ PRECASTING & CONCRETE INC.

4116 BAKERVIEW SPUR • BELLINGHAM, WA 98226 • (360) 671-2251 • 1-800-808-2251 • FAX: (360) 671-0780