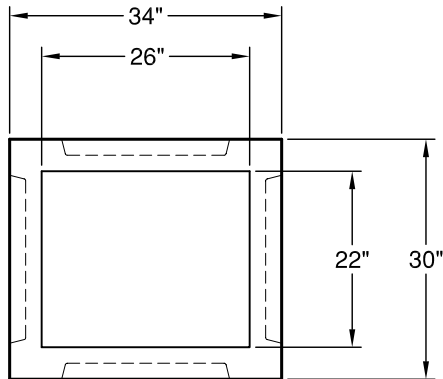
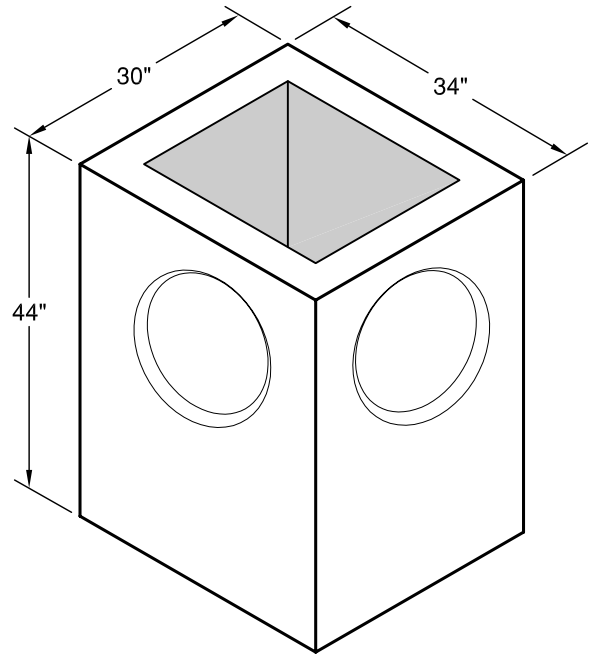


Type III Catch Basin Alaska

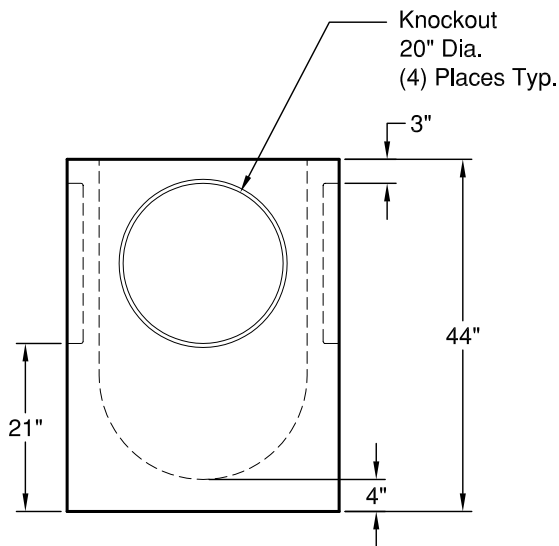
Meets or Exceeds City and Borough of Juneau, AK Standard Plan 304A. Constructed in Accordance with ASTM C-478-69. Meets or exceeds Highway Standard-20 Load Requirements.



PLAN



ISO VIEW



SIDE

WEIGHTS:

BASE: 1,800 lbs

CONCRETE:

Fc= 4,000 psi @ 28 Days

REINFORCING STEEL:

Welded Wire Fabric: ASTM A 497

0.12 Sq in./lin ft min.

No Wire Fabric in Knockout

PIPE PENETRATIONS:

Standard Knockouts (4)



GRANITE

**PRECASTING &
CONCRETE INC.**