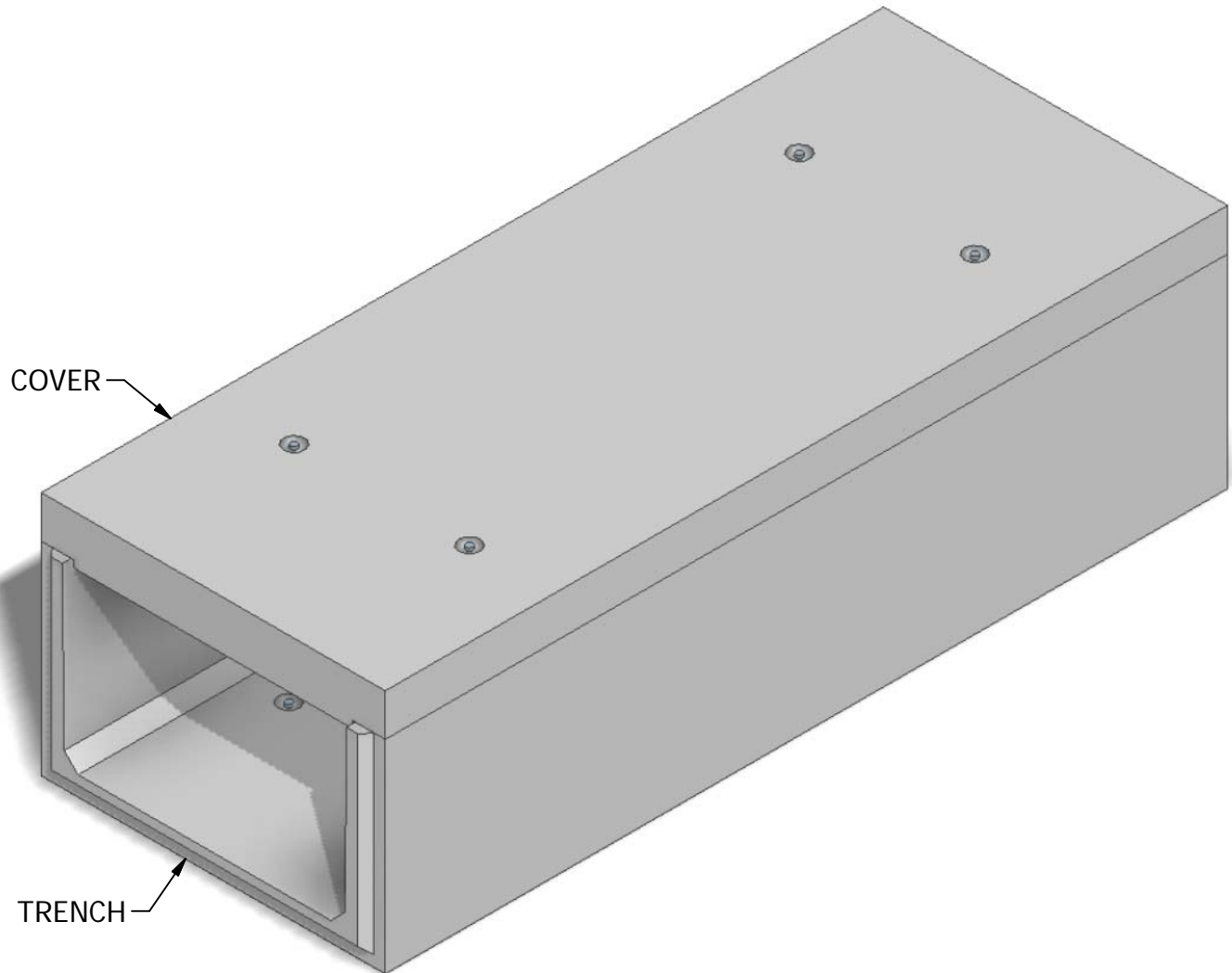


40 x 24 Precast Trench



INTERIOR DIMENSIONS:
2'-0"H x 3'-4"W

WEIGHTS:
COVER (3,560 lbs)
TRENCH (5,300 lbs)

© 2011 Granite Precasting & Concrete, Inc.

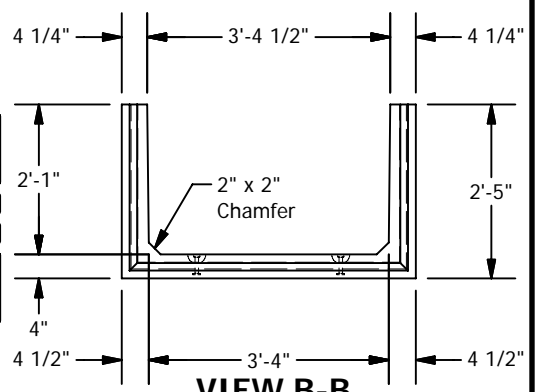
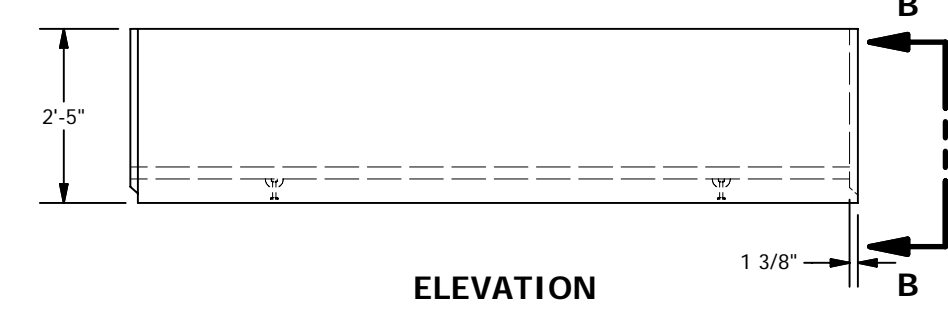
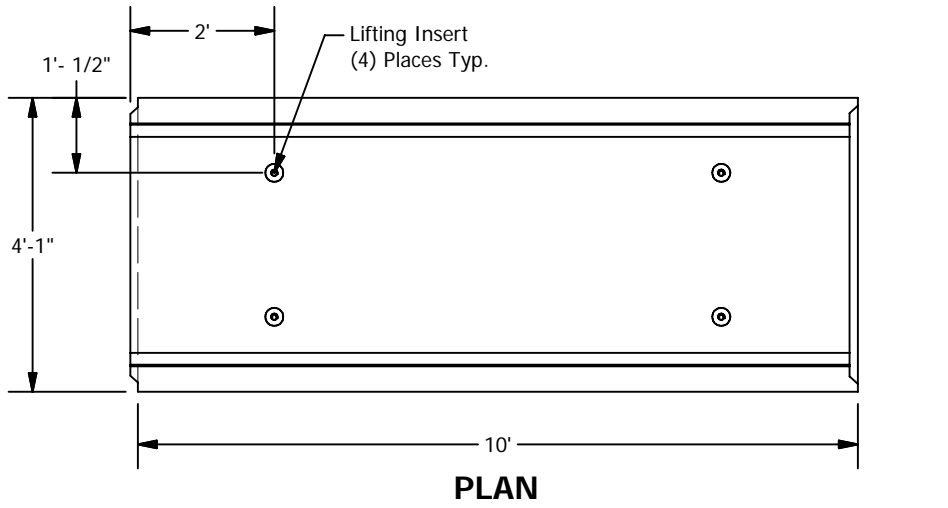
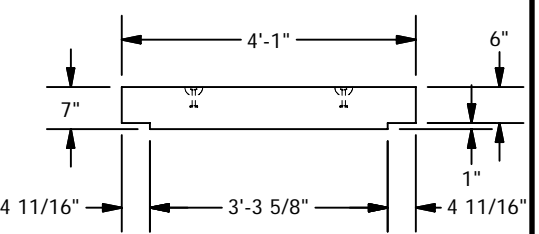
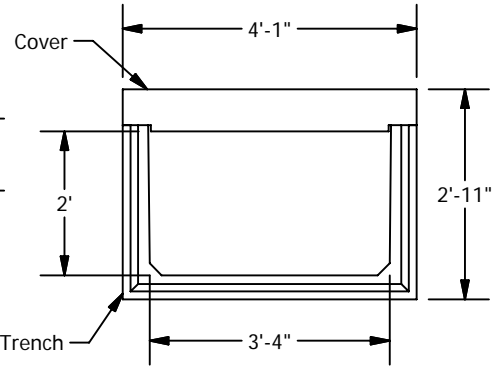
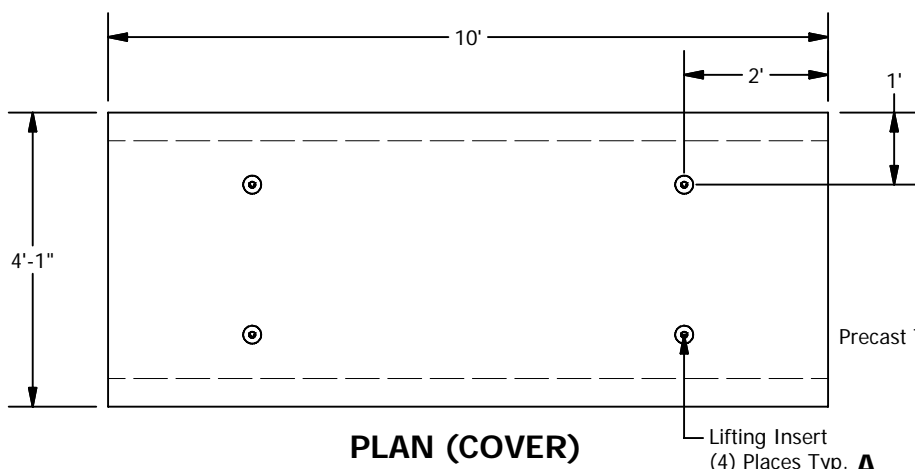


GRANITETM

**PRECASTING &
CONCRETE INC.**

4116 BAKERVIEW SPUR • BELLINGHAM, WA. 98226 • (360) 671-2251 • 1-800-808-2251 • FAX: (360) 671-0780

40 x 24 Precast Trench



© 2011 Granite Precasting & Concrete, Inc.

- SPECIFICATIONS**
- Concrete: $F_c=4,000$ psi @28 days
 - Rebar: ASTM A-615 Grade 60
 - Design: ASTM C-857 "Minimum Structural Design Loading for Underground Precast Concrete Utility Structures"
 - Loads: AASHTO HS-20
 - Backfill with granular free draining material (sand or pea gravel) free of stones or cobbles greater than 4" in dia.
 - Items shown are subject to change without notice.