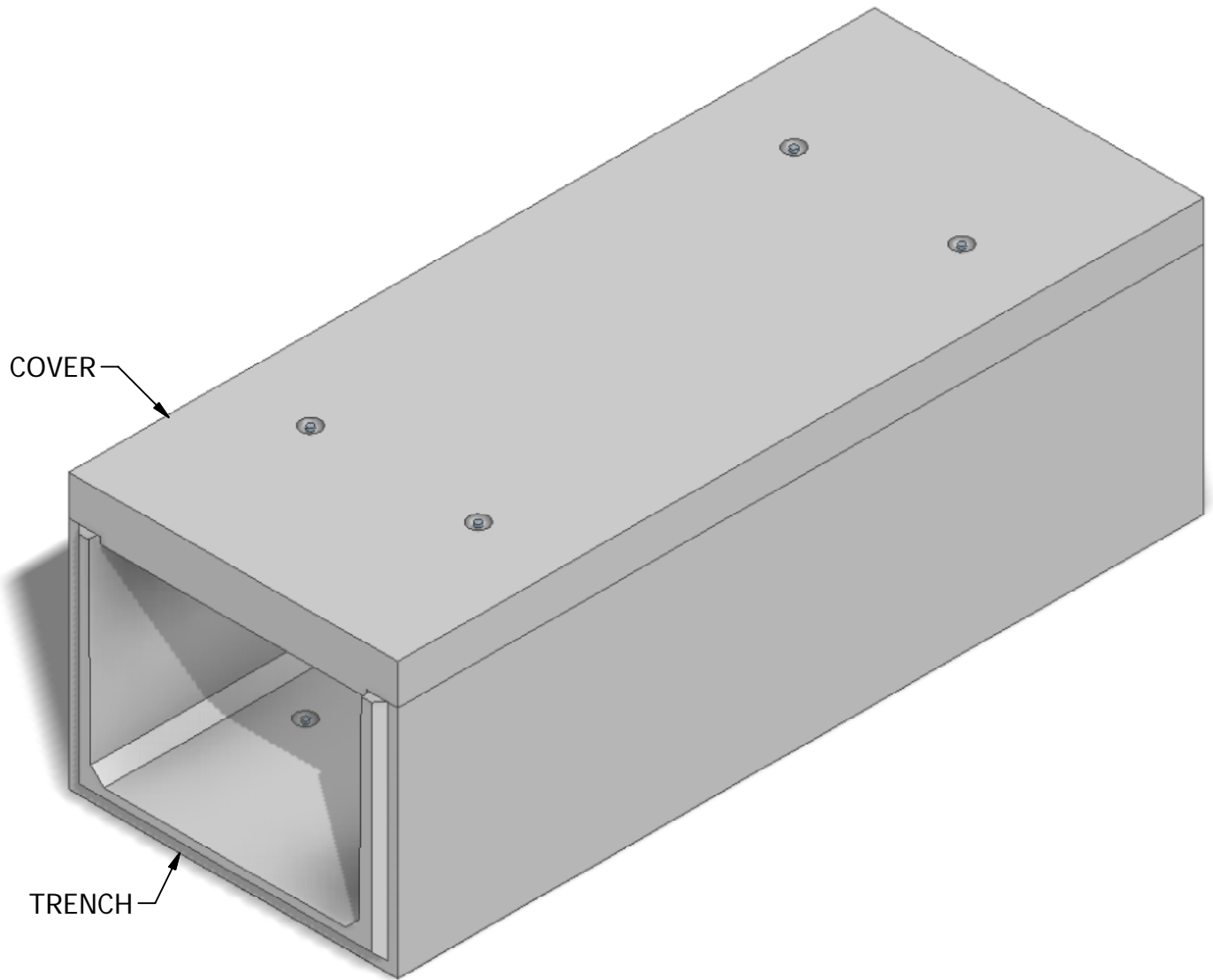


# 40 x 30 Precast Trench



INTERIOR DIMENSIONS:  
2'-6"H x 3'-4"W

WEIGHTS:  
COVER (3,478 lbs)  
TRENCH (5,150 lbs)

© 2011 Granite Precasting & Concrete, Inc.

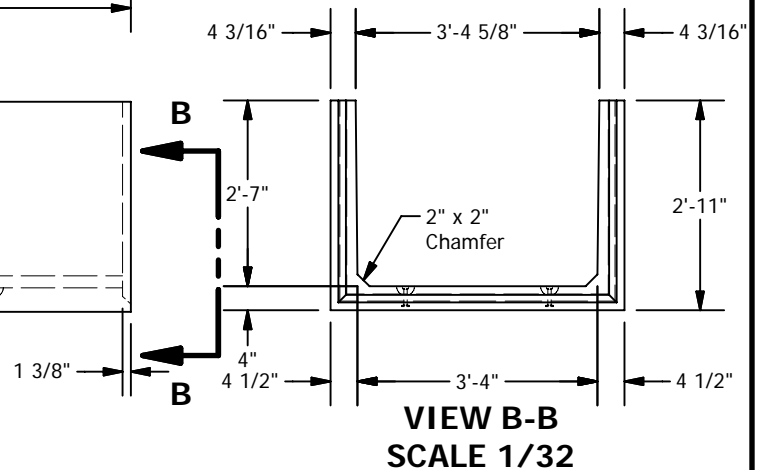
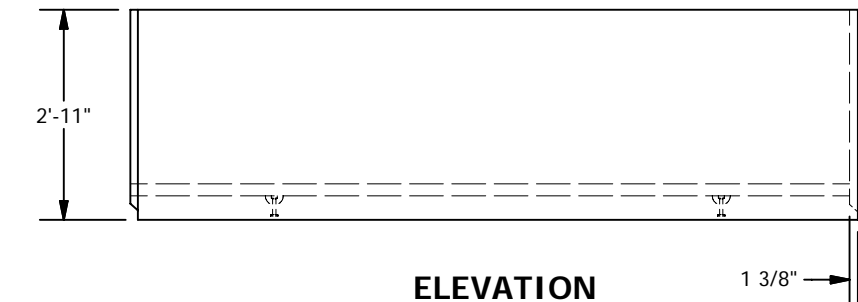
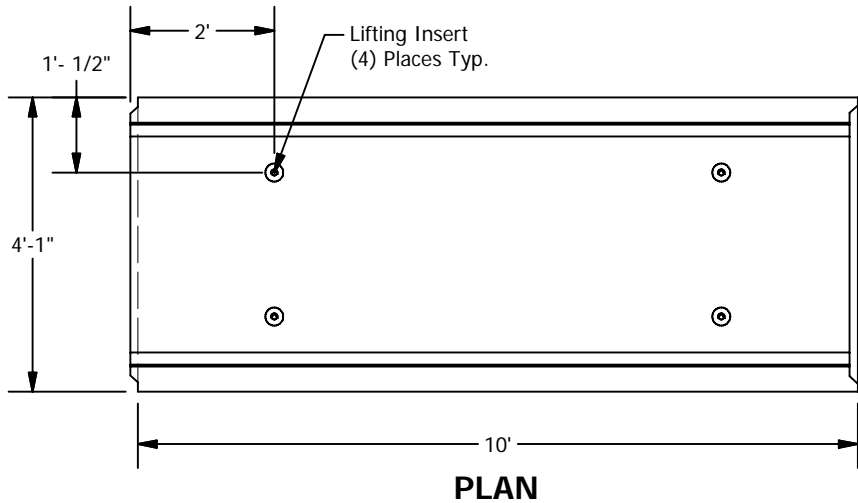
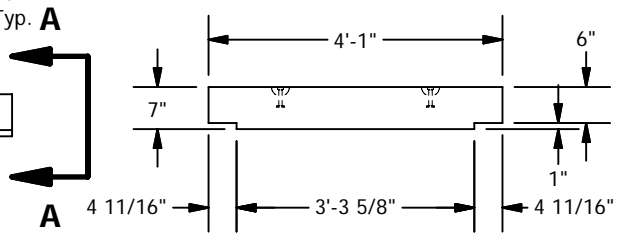
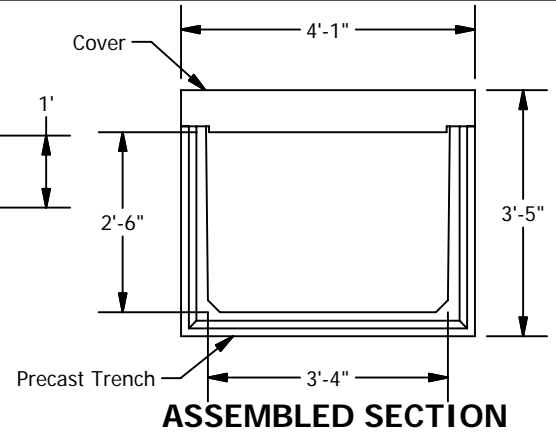
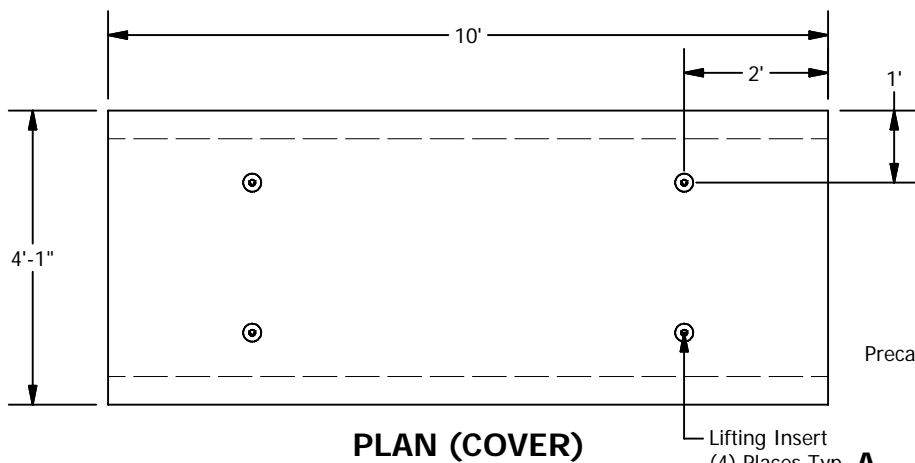


**GRANITE**<sup>TM</sup>

**PRECASTING &  
CONCRETE INC.**

4116 BAKERVIEW SPUR • BELLINGHAM, WA. 98226 • (360) 671-2251 • 1-800-808-2251 • FAX: (360) 671-0780

# 40 x 30 Precast Trench



© 2011 Granite Precasting & Concrete, Inc.

**SPECIFICATIONS**

- Concrete:  $F_c=4,000$  psi @28 days
- Rebar: ASTM A-615 Grade 60
- Design: ASTM C-857 "Minimum Structural Design Loading for Underground Precast Concrete Utility Structures"
- Loads: AASHTO HS-20
- Backfill with granular free draining material (sand or pea gravel) free of stones or cobbles greater than 4" in dia.
- Items shown are subject to change without notice.