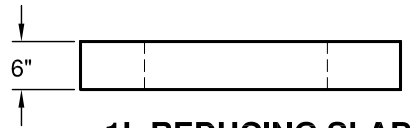
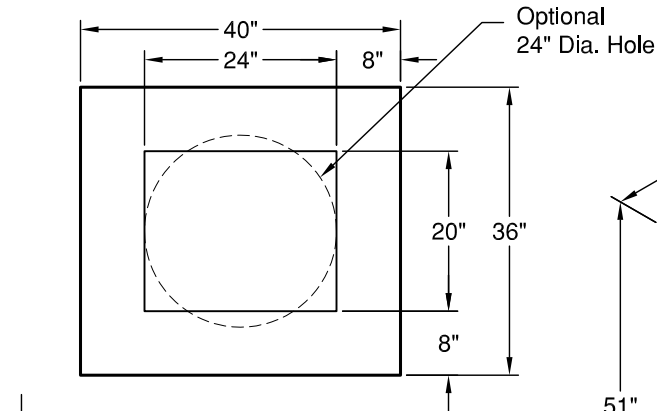
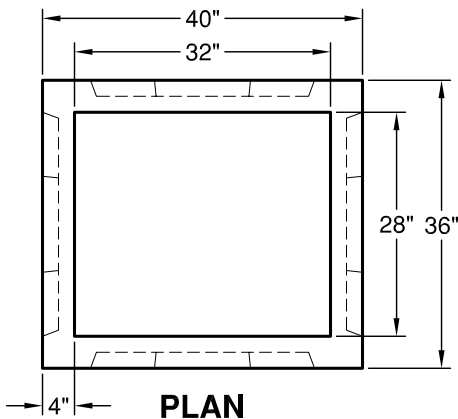


Type IV CB / CB 16 Alaska

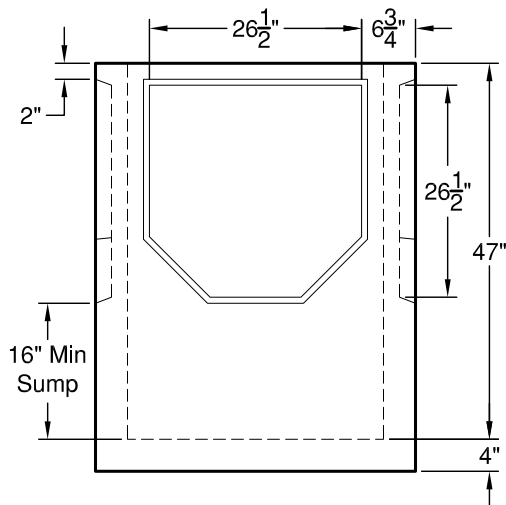
Meets or Exceeds City and Borough of Juneau, AK Standard Plan 304B. Constructed in Accordance with ASTM C-478-69. Meets or exceeds Highway Standard-20 Load Requirements.



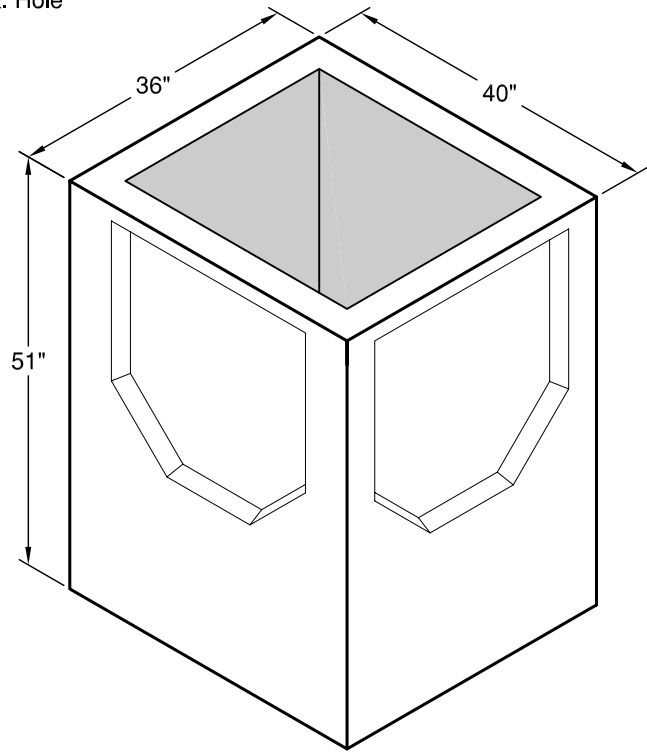
1L REDUCING SLAB



PLAN



SIDE



ISO VIEW

WEIGHTS:

BASE: 2500 lbs
REDUCING SLAB: 500 lbs

RISER: 4" 189 lbs
6" 283 lbs
12" 566 lbs
18" 828 lbs
24" 1,132 lbs
36" 1,698 lbs

CONCRETE:

Fc= 4,000 psi @ 28 Days

REINFORCING STEEL:

Welded Wire Fabric: ASTM A 497
0.12 Sq in./lin ft min.
No Wire Fabric in Knockout

PIPE PENETRATIONS:

Standard Knockouts (4)
In 4' Bases



GRANITE

**PRECASTING &
CONCRETE INC.**