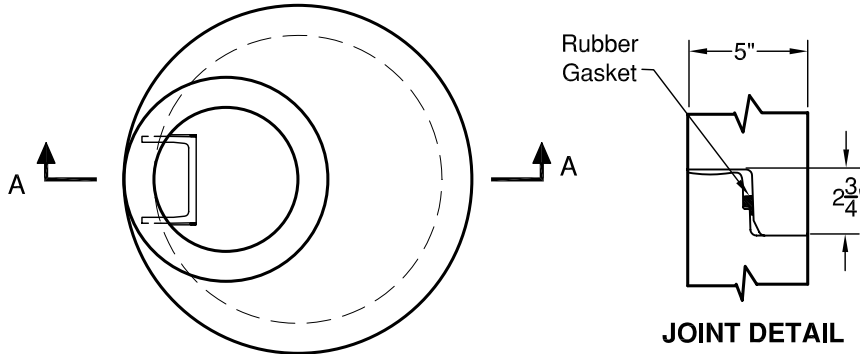
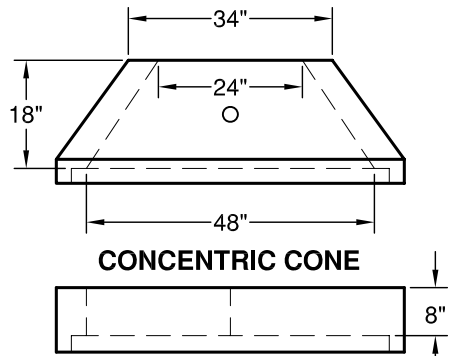
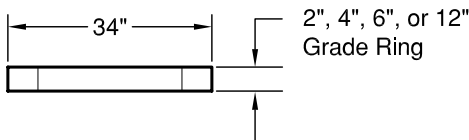


48" Manhole

Meets or Exceeds WSDOT Std Plan B-15.20-00
 Manholes Constructed in Accordance with ASTM C-478
 Rubber Gasket Conforms to ASTM C-443
 Polypropylene MH Steps Conform to ASTM C-478

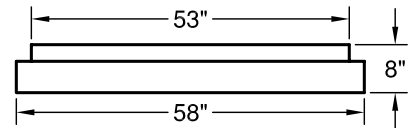


PLAN VIEW

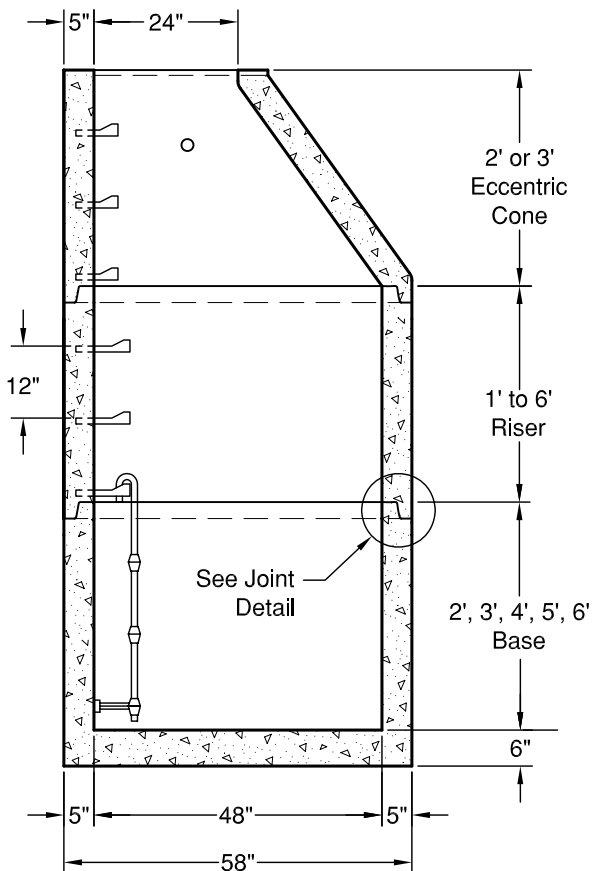


CONCENTRIC CONE

TOP SLAB



BASE SLAB



SECTION AA

WEIGHTS:

- CONE: 2' - 1,740 lbs
- CONE: 3' - 2,540 lbs
- TOP SLAB: 8" - 1,580 lbs
- RISER: 1' - 1,020 lbs
- 2' - 1,900 lbs
- 3' - 2,660 lbs
- 4' - 3,540 lbs
- 5' - 4,500 lbs
- 6' - 5,400 lbs
- BASE: 2' - 3,200 lbs
- 3' - 4,800 lbs
- 4' - 5,300 lbs
- 5' - 6,420 lbs
- 6' - 7,540 lbs
- BASE SLAB: 8" - 1,900 lbs

CONCRETE:

Fc= 4,000 psi @ 28 Days

REINFORCING STEEL:

- Welded Wire Fabric: ASTM A497
- Rebar: ASTM A615 Grade 60
- Top Slab: 0.40 Sq in./ft e.w. min.
- Base w/integral Riser: 0.15 Sq in./lin ft min.
- Base Slab: 0.23 Sq in./ft e.w. min.

PIPE PENETRATIONS:

- Maximum Hole Size: 36"
- Minimum Distance Hole to Hole: 8"
- Holes Cored to Plan Specifications
- Kor-N-Seal Connectors Available
- Standard Knockouts Available

© 2011 Granite Precasting & Concrete, Inc.



GRANITE™

PRECASTING & CONCRETE INC.

4116 BAKERVIEW SPUR • BELLINGHAM, WA 98226 • (360) 671-2251 • 1-800-808-2251 • FAX: (360) 671-0780