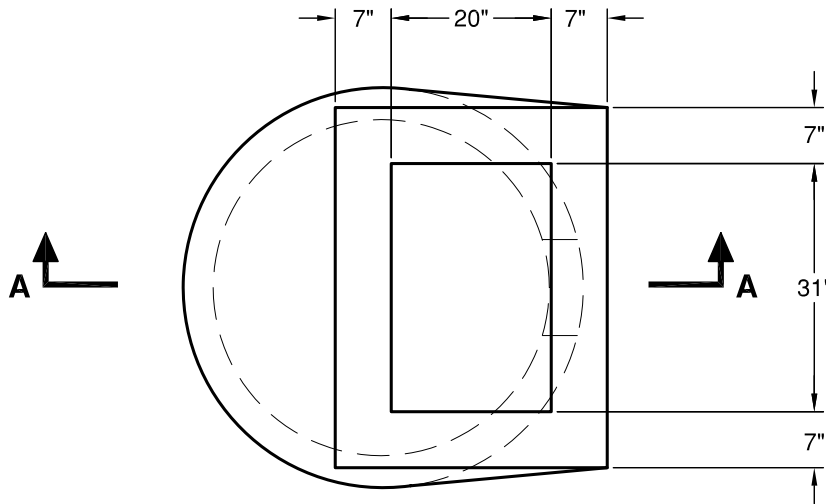
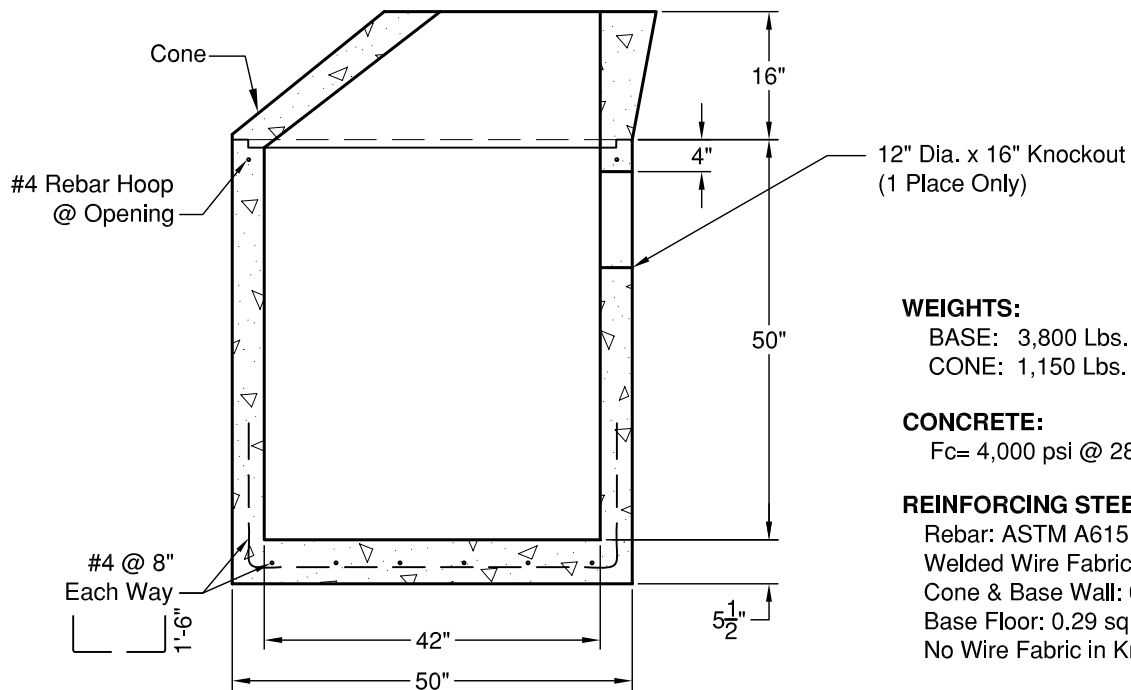


Type 242 Catch Basin

Meets or Exceeds SEATTLE Std. Plan 242
 Constructed in Accordance With ASTM C-478
 & Seattle Std. Specification SECT. 7-05 & 9-12



PLAN



SECTION AA

WEIGHTS:

BASE: 3,800 Lbs.
 CONE: 1,150 Lbs.

CONCRETE:

Fc= 4,000 psi @ 28 Days

REINFORCING STEEL:

Rebar: ASTM A615 Grade 60
 Welded Wire Fabric: ASTM A497
 Cone & Base Wall: 0.12 sq. in./lin. ft. minimum
 Base Floor: 0.29 sq. in./lin. ft. minimum
 No Wire Fabric in Knockout

© 2011 Granite Precasting & Concrete, Inc.



GRANITE™ PRECASTING & CONCRETE INC.

4116 BAKERVIEW SPUR • BELLINGHAM, WA 98226 • (360) 671-2251 • 1-800-808-2251 • FAX: (360) 671-0780