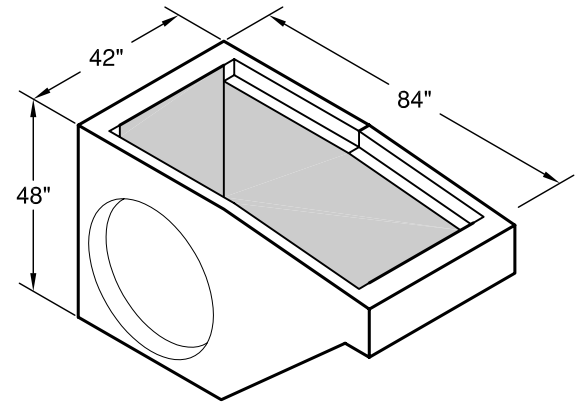


# Drop Inlet Type 1 CB

Meets or Exceeds WSDOT Standard Plan B-4f  
Constructed in Accordance With ASTM C-478



**ISO VIEW**

**WEIGHTS:**

BASE: 5,800 lbs

**CONCRETE:**

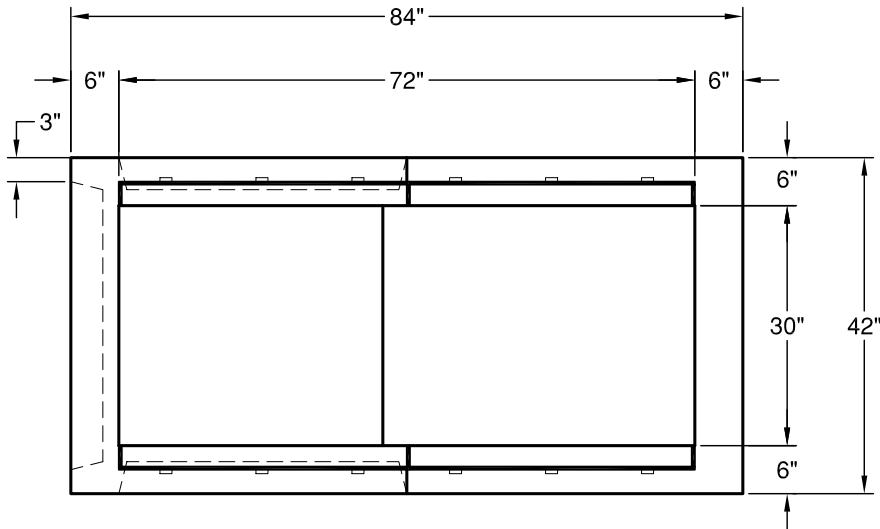
Fc= 4,000 psi @ 28 Days

**REINFORCING STEEL:**

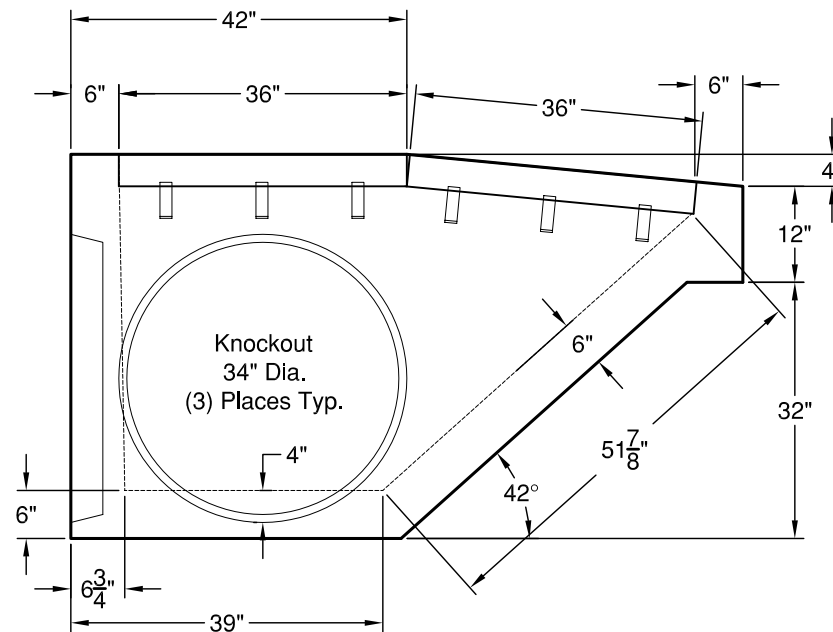
.20 Sq in./lin ft min.

**PIPE PENETRATIONS:**

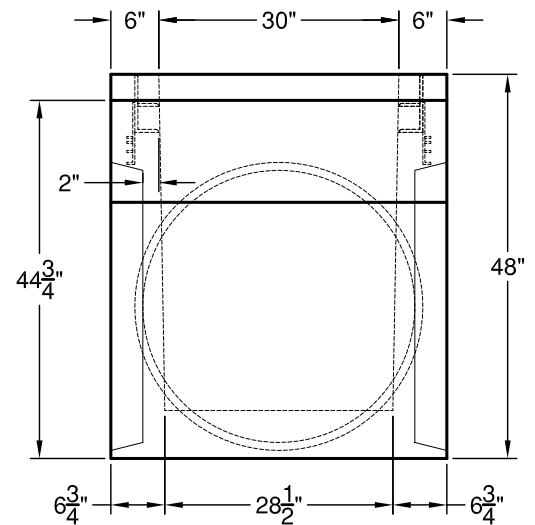
Standard Knockouts (3)



**PLAN**



**SIDE**



**END VIEW**



**GRANITE**

**PRECASTING &  
CONCRETE INC.**

4116 BAKERVIEW SPUR • BELLINGHAM, WA 98226 • (360) 671-2251 • 1-800-808-2251 • FAX: (360) 671-0780