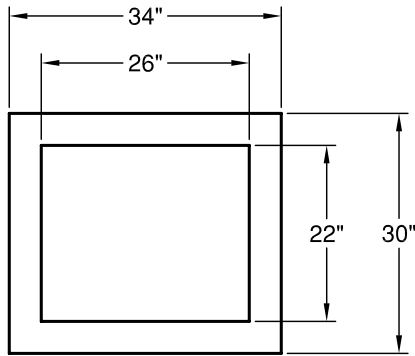
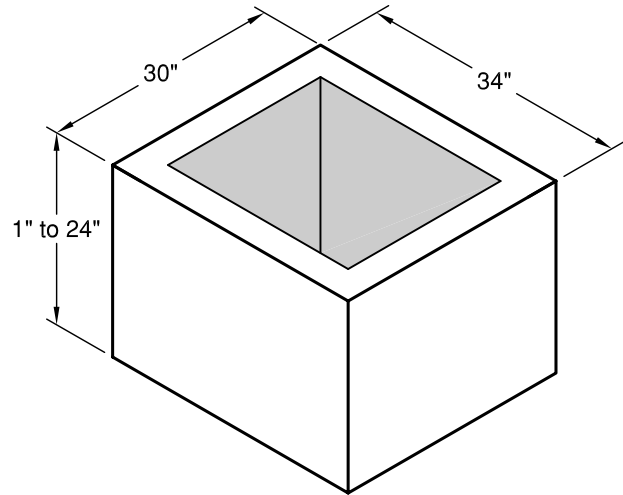


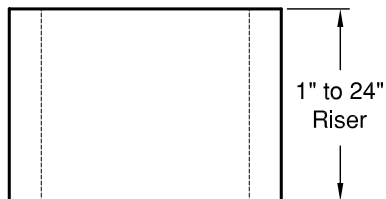
Catch Basin Riser



PLAN



ISO VIEW



SIDE

WEIGHTS:

- 1" RISER: 50 lbs
- 2" RISER: 100 lbs
- 4" RISER: 180 lbs
- 6" RISER: 260 lbs
- 12" RISER: 560 lbs
- 24" RISER: 1120 lbs

CONCRETE:

Fc= 4,000 psi @ 28 Days

REINFORCING STEEL:

Welded Wire Fabric: ASTM A185
0.12 Sq in./lin ft min.



GRANITE

**PRECASTING &
CONCRETE INC.**