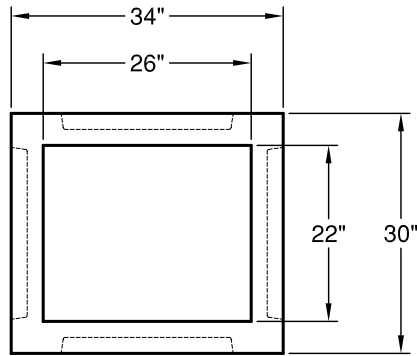
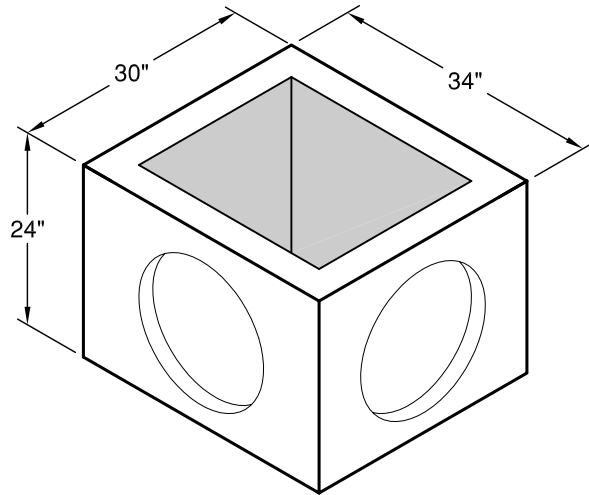


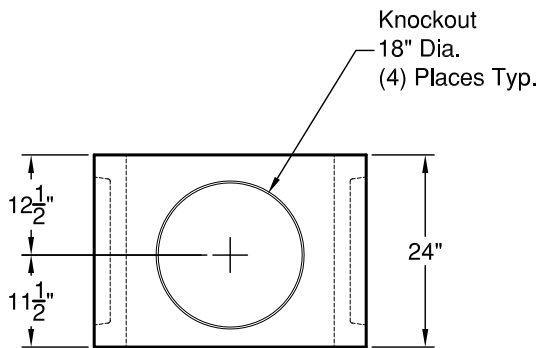
Catch Basin Riser w/ Knockouts



PLAN



ISO VIEW



SIDE

WEIGHTS:

RISER: 800 lbs

CONCRETE:

F_c = 4,000 psi @ 28 Days

REINFORCING STEEL:

Welded Wire Fabric: ASTM A185
0.12 Sq in./lin ft min.

PIPE PENETRATIONS:

Standard Knockouts (4)



GRANITE

**PRECASTING &
CONCRETE INC.**