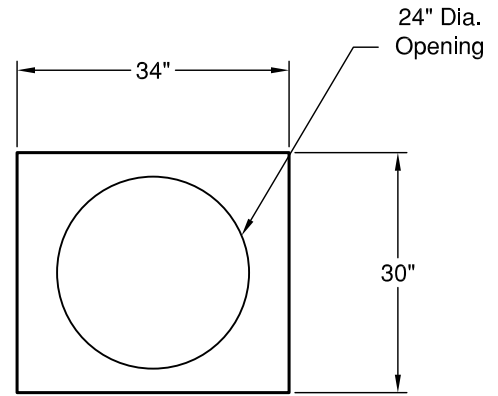
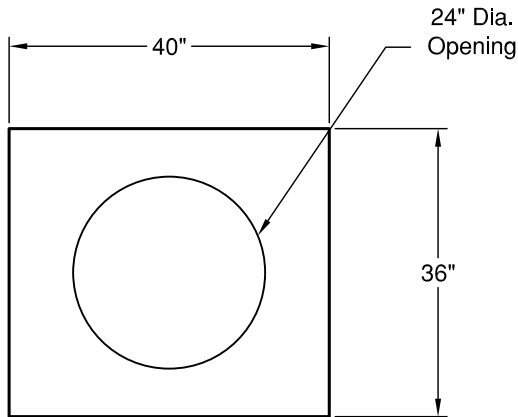


# Type 1L Round Hole Reducing Slabs

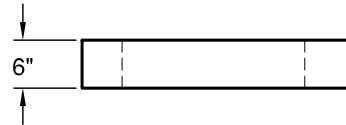
Constructed in Accordance with ASTM C-478



**OPTIONAL  
REDUCING SLAB  
TYPE 1L / TYPE 1 CATCH BASIN**

**WEIGHTS:**  
REDUCING SLAB: 515 lbs

**CONCRETE:**  
F<sub>c</sub>= 4,000 psi @ 28 Days



**OPTIONAL  
REDUCING SLAB  
TYPE 1 CATCH BASIN**

**WEIGHTS:**  
REDUCING SLAB: 300 Lbs

**CONCRETE:**  
F<sub>c</sub>= 4,000 psi @ 28 Days

© 2011 Granite Precasting & Concrete, Inc.



# GRANITE™

# PRECASTING & CONCRETE INC.

4116 BAKERVIEW SPUR • BELLINGHAM, WA 98226 • (360) 671-2251 • 1-800-808-2251 • FAX: (360) 671-0780