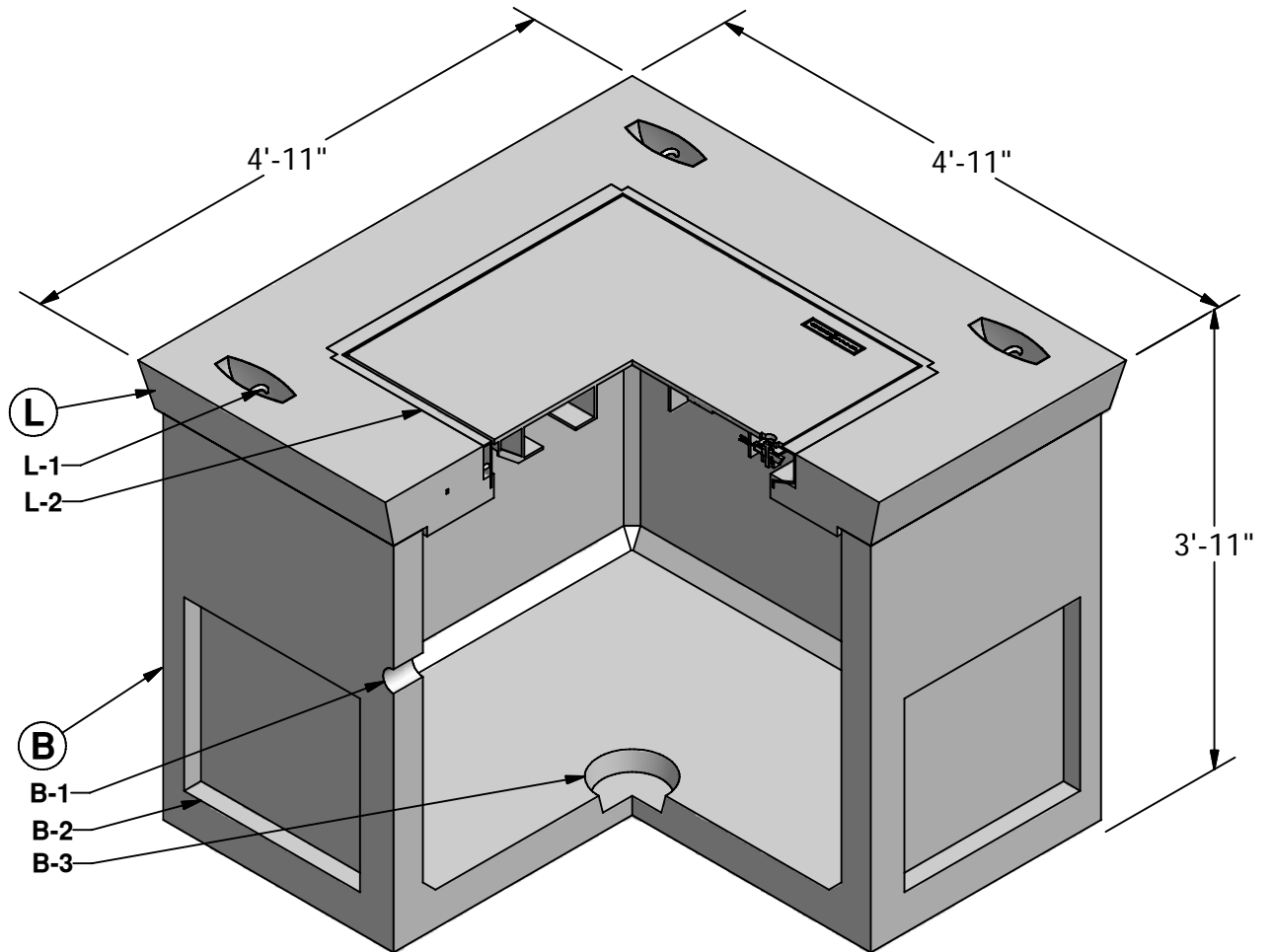


5 x 5.4 Meter Vault



L LID (1,400 lbs)

L-1. UTILITY ANCHOR
L-2. 3' x 3' GALV. HATCH

B BASE (3,320 lbs)

B-1. 2 1/2" DIA. LIFTING EYE
B-2. 1'-8" X 1'-9" KNOCKOUT
B-3. 12" DIA. SUMP

D-3



GRANITETM **PRECASTING & CONCRETE INC.**

4116 BAKERVIEW SPUR • BELLINGHAM, WA. 98226 • (360) 671-2251 • 1-800-808-2251 • FAX: (360) 671-0780

