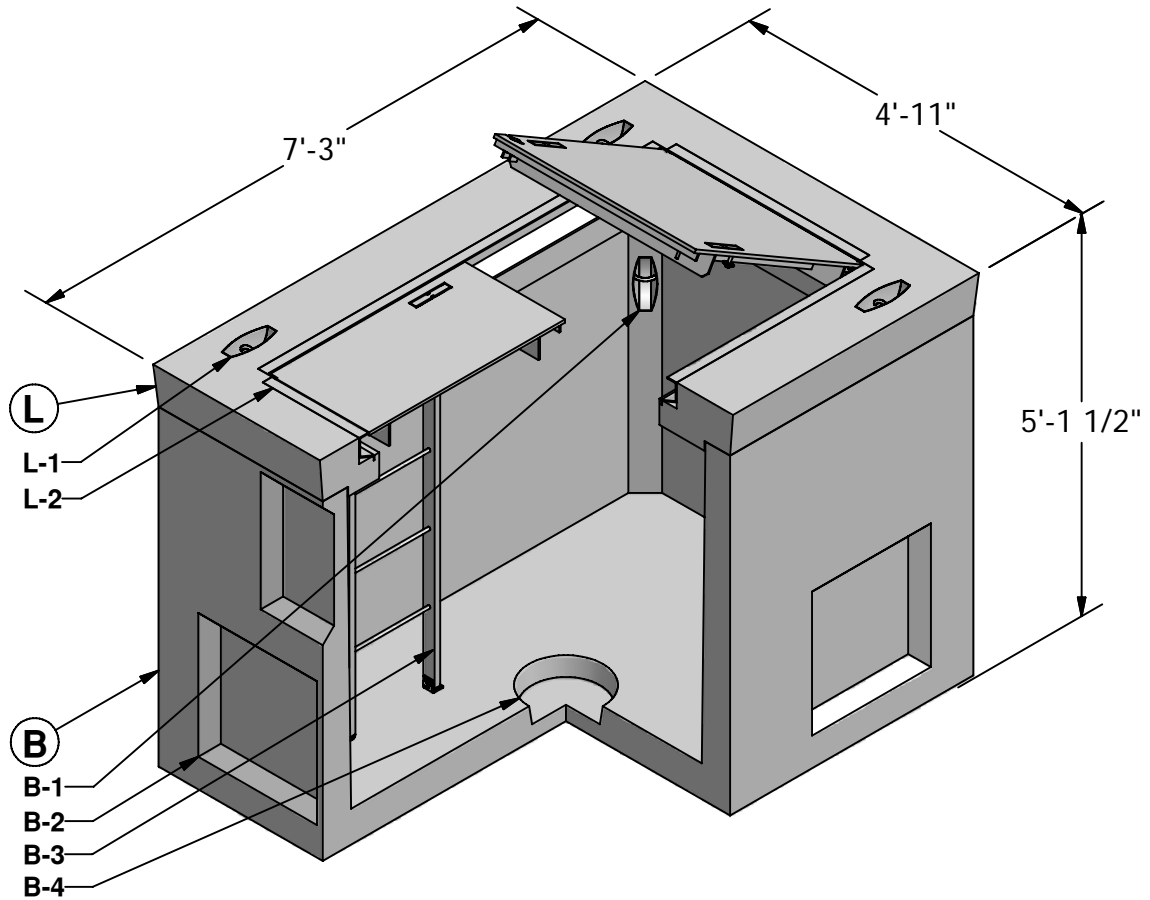


5 x 7.5 Meter Vault



Ⓛ LID (1,940 lbs)

L-1. UTILITY ANCHOR
L-2. 3' x 6' GALV. HATCH

Ⓟ BASE (7,060 lbs)

B-1. UTILITY ANCHOR
B-2. 1'-6" X 1'-5" KNOCKOUT
B-3. GALV. LADDER (OPTIONAL)
B-4. 12" DIA. SUMP

D-7



GRANITE™

**PRECASTING &
CONCRETE INC.**

4116 BAKERVIEW SPUR • BELLINGHAM, WA. 98226 • (360) 671-2251 • 1-800-808-2251 • FAX: (360) 671-0780

