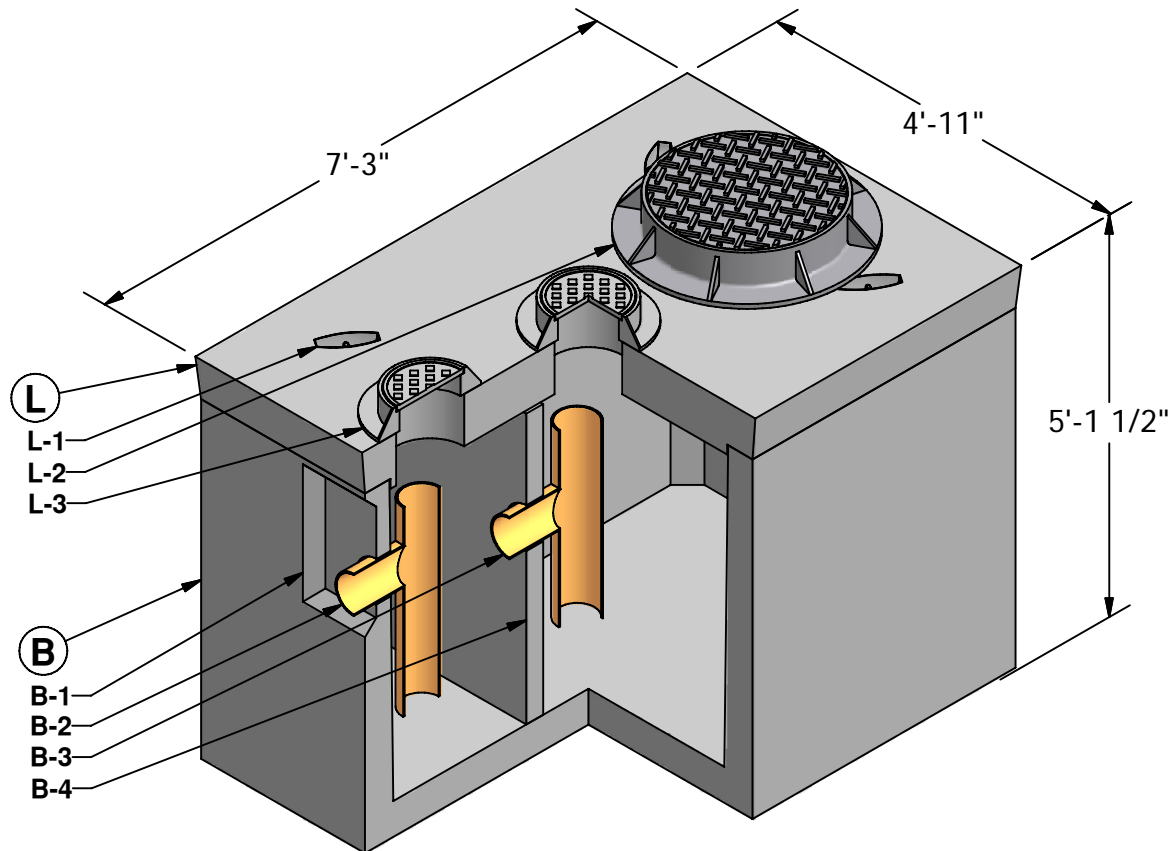


5 x 7.5 Grease Interceptor

500 Gallon
Capacity



(L) LID (2,750 lbs)

- L-1. LIFTING INSERT
- L-2. 24" DIA. RING & COVER (OPTIONAL)
- L-3. INSPECTION COVER (OPTIONAL)

(B) BASE (7,760 lbs)

- B-1. 1'-6" X 1'-5" KNOCKOUT
- B-2. OUTLET PIPE AND TEE (BY OTHERS)
- B-3. INSPECTION TEE (BY OTHERS)
- B-4. BAFFLE



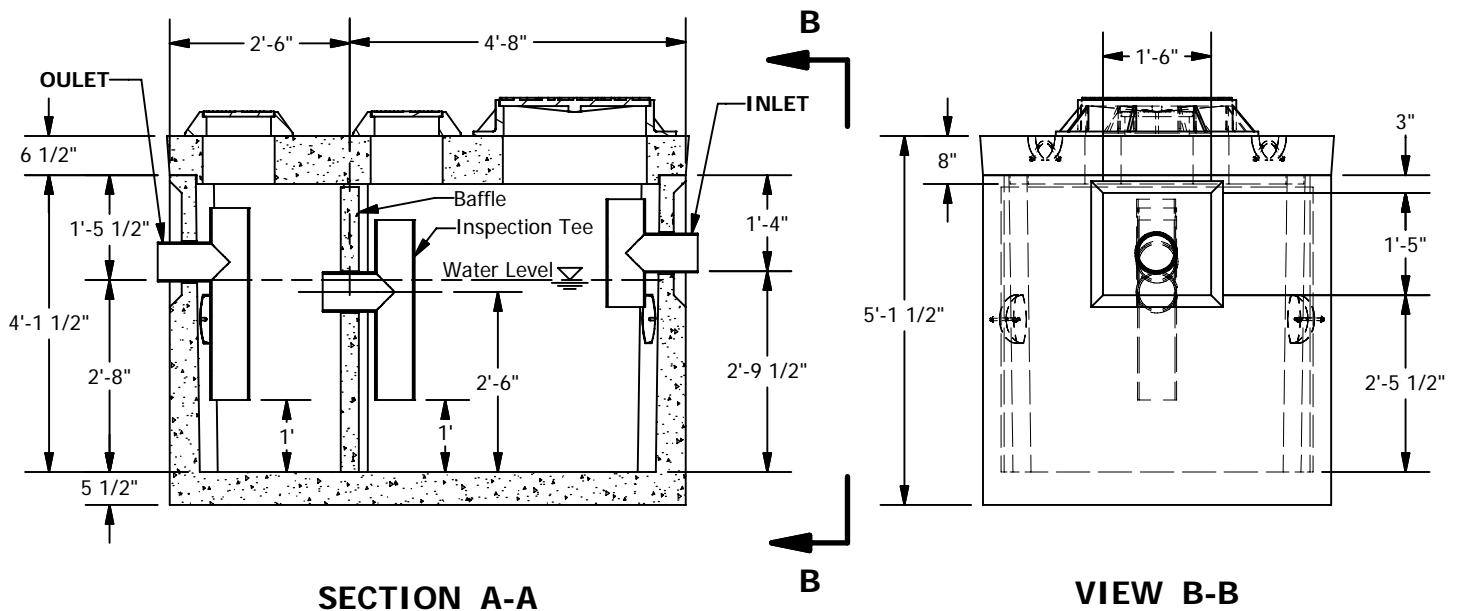
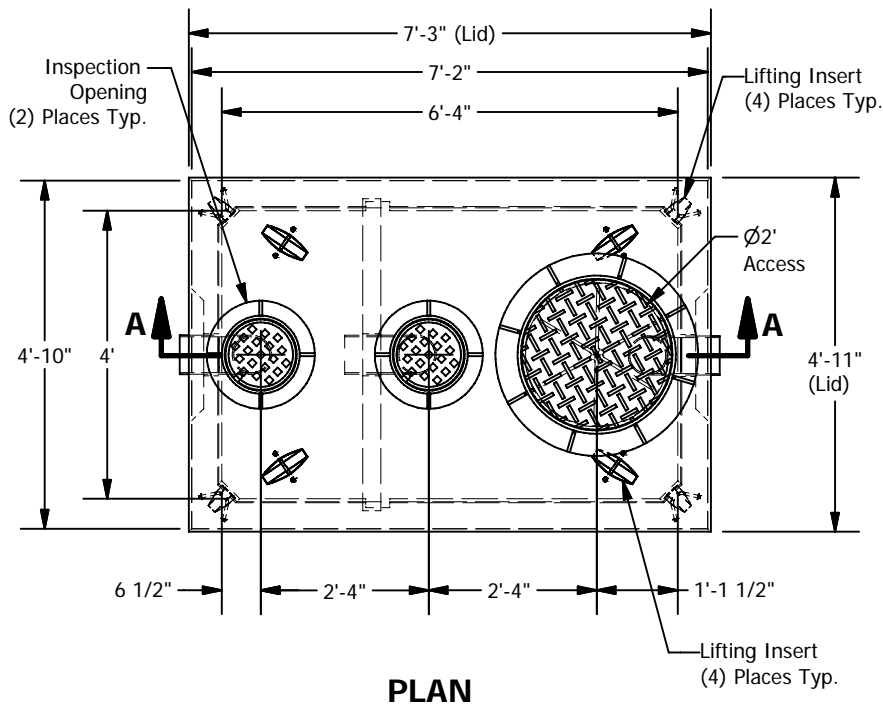
GRANITETM

**PRECASTING &
CONCRETE INC.**

4116 BAKERVIEW SPUR • BELLINGHAM, WA. 98226 • (360) 671-2251 • 1-800-808-2251 • FAX: (360) 671-0780

5 x 7.5 Grease Interceptor

500 Gallon Capacity



SPECIFICATIONS

- Concrete: Fc=5,000 psi @ 28 days
- Rebar: ASTM A-615 Grade 60
- Design: ASTM C-857 "Minimum Structural Design Loading for Underground Precast Concrete Utility Structures"
- Loads: AASHTO HS-20
- Backfill with granular free draining material (sand or pea gravel) free of stones or cobbles greater than 4" dia.
- All pipe to be supplied and installed by contractor.
- Contractor to field install baffle.
- Fill with clean water prior to start up.
- Items shown are subject to change without notice.