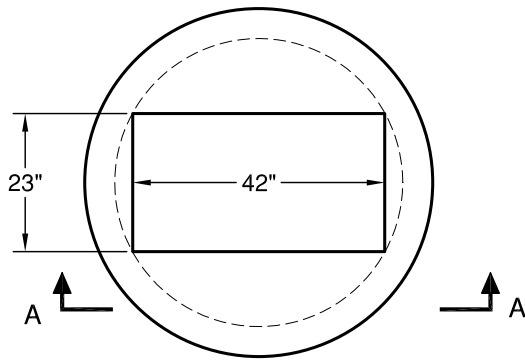
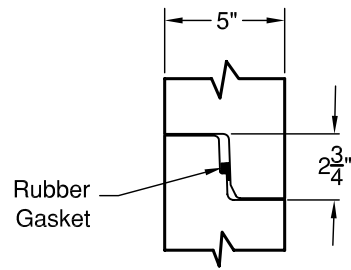


WSDOT H-Slab

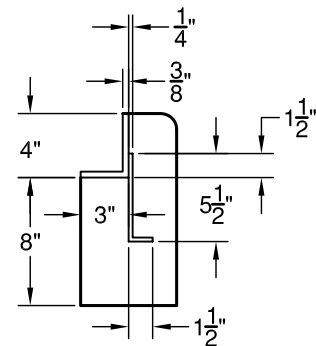
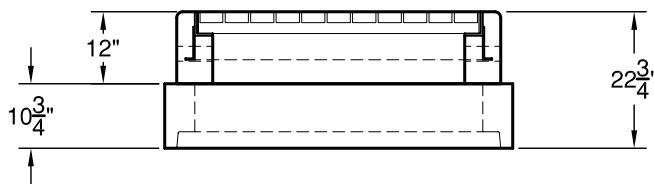
Meets or Exceeds WSDOT Standard Plan B-35.40-00
Catch Basins Constructed in Accordance with ASTM C-478



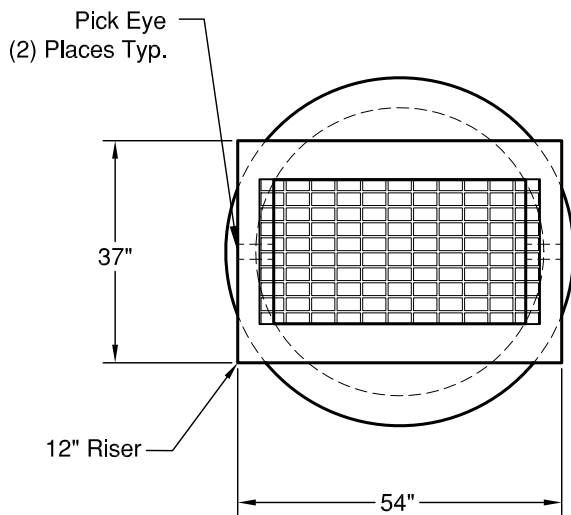
TOP SLAB



**JOINT DETAIL
MANHOLE COVER**



**FRAME DETAIL
1:12 SCALE**



TYPE 2 GRATE INLET TOP (ON TOP SLAB)

WEIGHTS:

- 48" Dia. Top Slab: 1,300 lbs
- 54" Dia. Top Slab: 1,660 lbs
- 60" Dia. Top Slab: 2,380 lbs
- 72" Dia. Top Slab: 3,340 lbs
- 12" Top w/ Angles: 1,060 lbs
- Grate (Type A): 200 lbs
- Grate (Type B): 200 lbs
- Grate (Dual Vaned): 500 lbs

CONCRETE:

Fc= 4,000 psi @ 28 Days

REINFORCING STEEL:

Welded Wire Fabric: ASTM A 497
Rebar: ASTM A615 Grade 60
Top Slab: 0.40 Sq in./ft e.w. min.

© 2011 Granite Precasting & Concrete, Inc.



GRANITE™

**PRECASTING &
CONCRETE INC.**

4116 BAKERVIEW SPUR • BELLINGHAM, WA 98226 • (360) 671-2251 • 1-800-808-2251 • FAX: (360) 671-0780