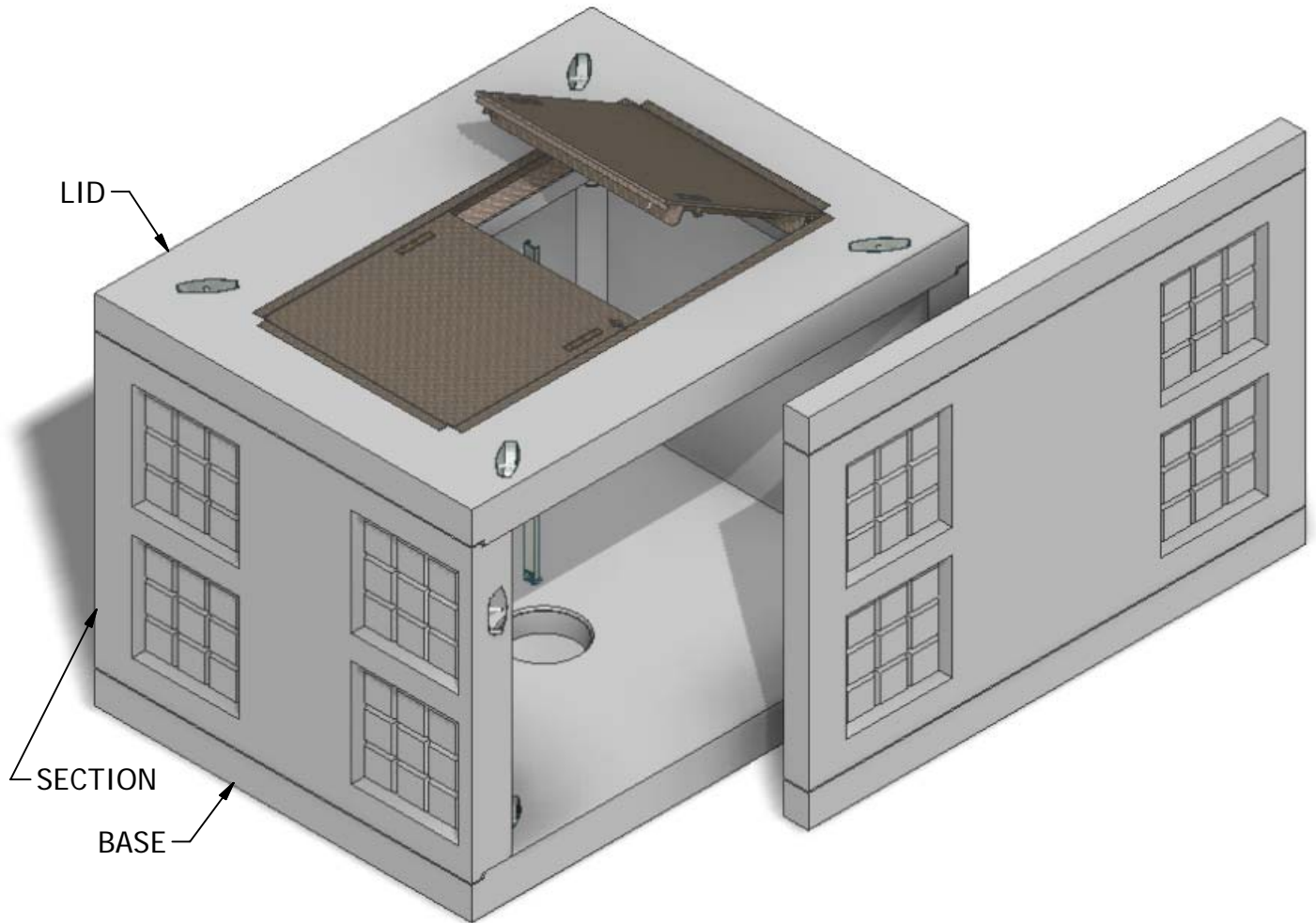


# 6 x 7.5 Electrical Vault



INTERIOR DIMENSIONS:  
5'-6"W x 7'-0"L x 4'-5"H

WEIGHTS:  
LID (3,800 lbs)  
SECTION (6,320 lbs)  
BASE (3,800 lbs)

NOTE: Side panel has been shifted to show internal view and is not removable.

© 2011 Granite Precasting & Concrete, Inc.

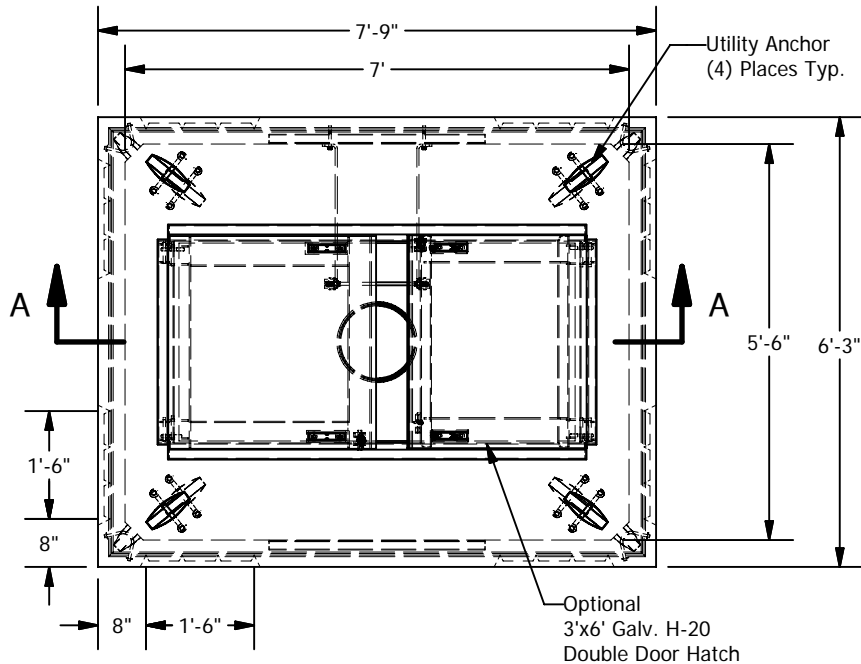


**GRANITE**<sup>TM</sup>

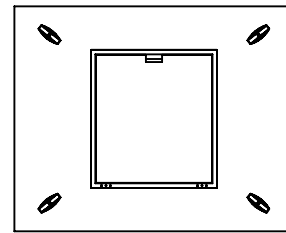
**PRECASTING &  
CONCRETE INC.**

4116 BAKERVIEW SPUR • BELLINGHAM, WA. 98226 • (360) 671-2251 • 1-800-808-2251 • FAX: (360) 671-0780

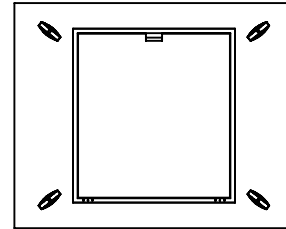
# 6 x 7.5 Electrical Vault



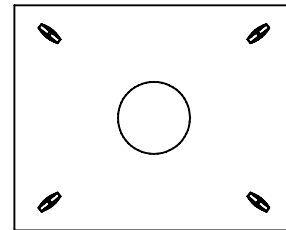
**PLAN**



6' x 7' Lid  
w/ 3' x 3' Hatch

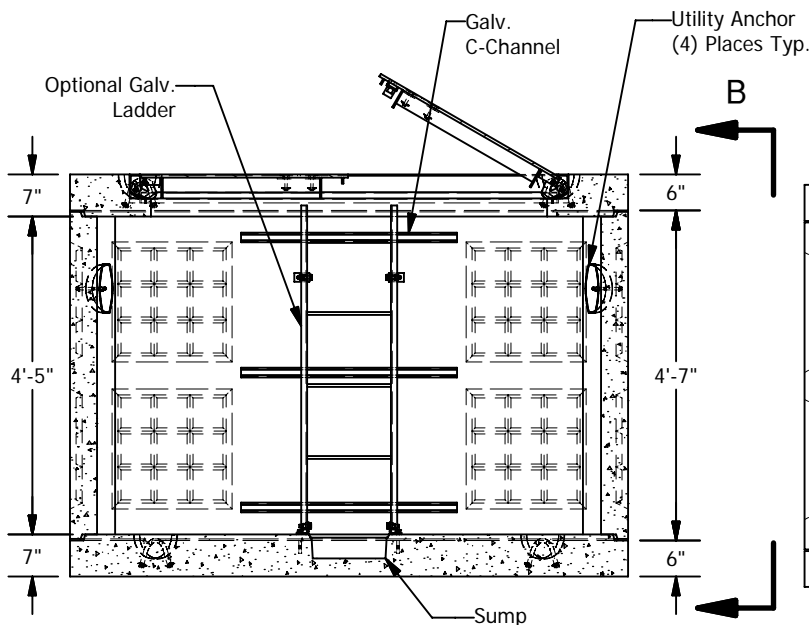


6' x 7' Lid  
w/ 4' x 4' Hatch

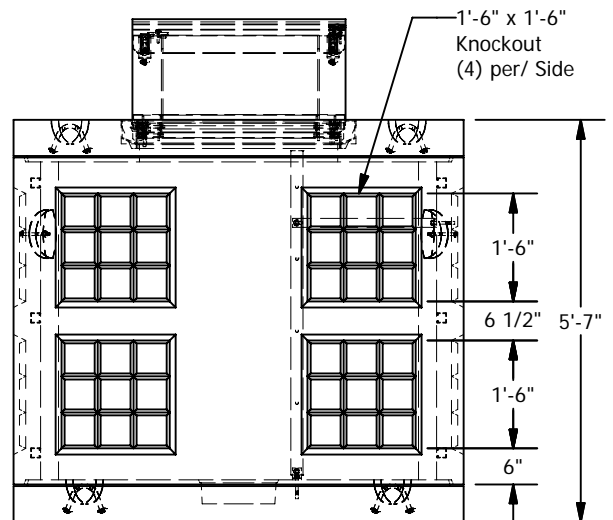


6' x 7' Lid  
w/ 24", 30", 36",  
42", or 48" Dia.  
Opening

## LID OPTIONS



**SECTION A-A**



**VIEW B-B**

© 2011 Granite Precasting & Concrete, Inc.

### SPECIFICATIONS

- Concrete:  $F_c=5,000$  psi @28 days
- Rebar: ASTM A-615 Grade 60
- Design: ASTM C-857 "Minimum Structural Design Loading for Underground Precast Concrete Utility Structures"
- Loads: AASHTO HS-20
- Backfill with granular free draining material (sand or pea gravel) free of stones or cobbles greater than 4" in dia.
- Holes cored to plan specifications.
- Install lid prior to backfill.
- Items shown are subject to change without notice.