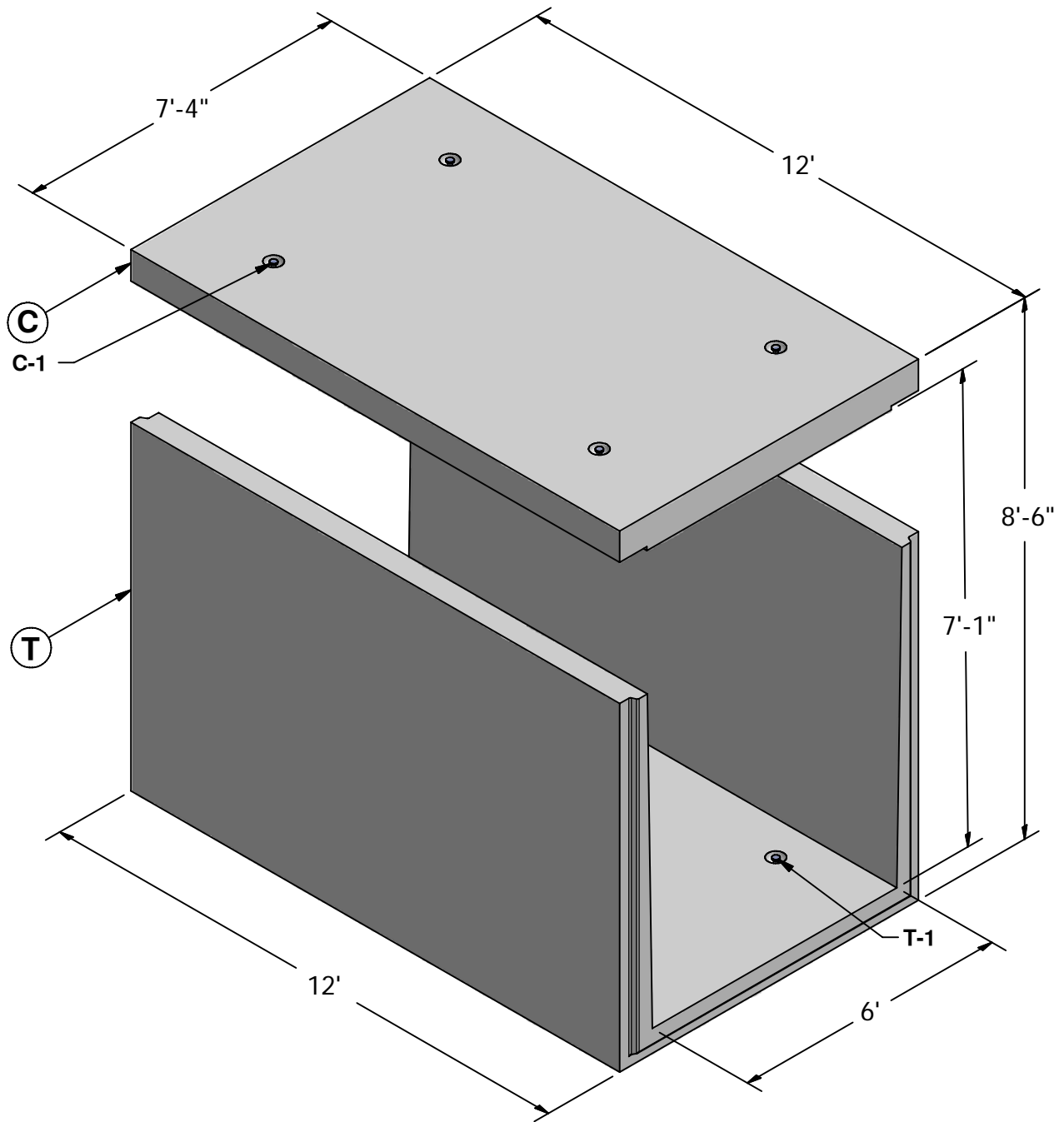


# 7285 Precast Trench



Ⓒ COVER (10,180 lbs)  
C-1. LIFTING ANCHOR

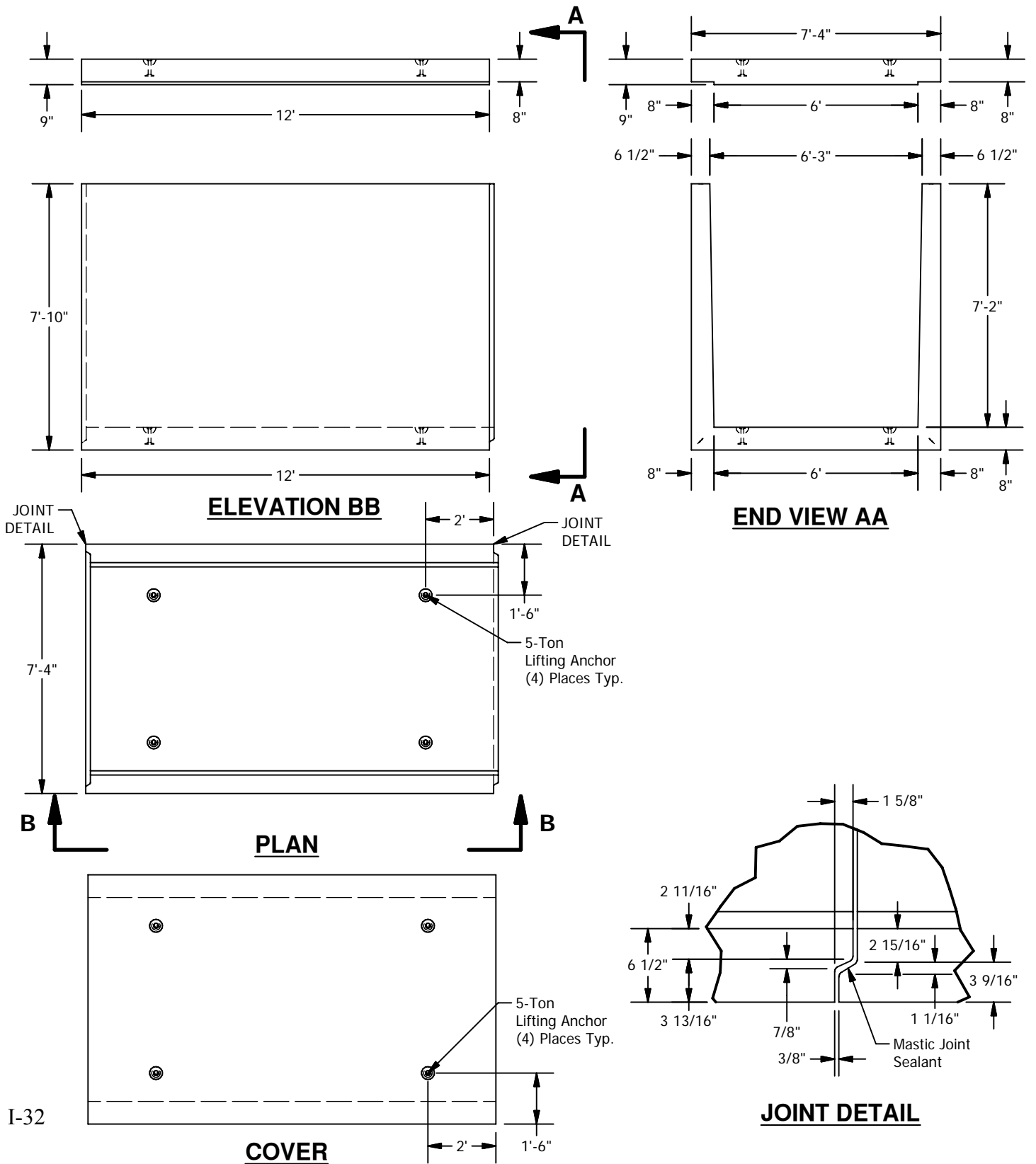
Ⓓ TRENCH (25,600 lbs)  
T-1. LIFTING ANCHOR



**GRANITE**<sup>TM</sup> **PRECASTING & CONCRETE INC.**

4116 BAKERVIEW SPUR • BELLINGHAM, WA. 98226 • (360) 671-2251 • 1-800-808-2251 • FAX: (360) 671-0780

# 7285 Precast Trench



## SPECIFICATIONS

- Concrete:  $F_c=5,000$  psi @28 days
- Rebar: ASTM A-615 Grade 60
- Design: ASTM C-857 "Minimum Structural Design Loading for Underground Precast Concrete Utility Structures"
- Loads: AASHTO HS-20
- Backfill with granular free draining material (sand or pea gravel) free of stones or cobbles greater than 4" in dia.
- Holes cored to plan specifications.
- Install lid prior to backfill.
- Items shown are subject to change without notice.