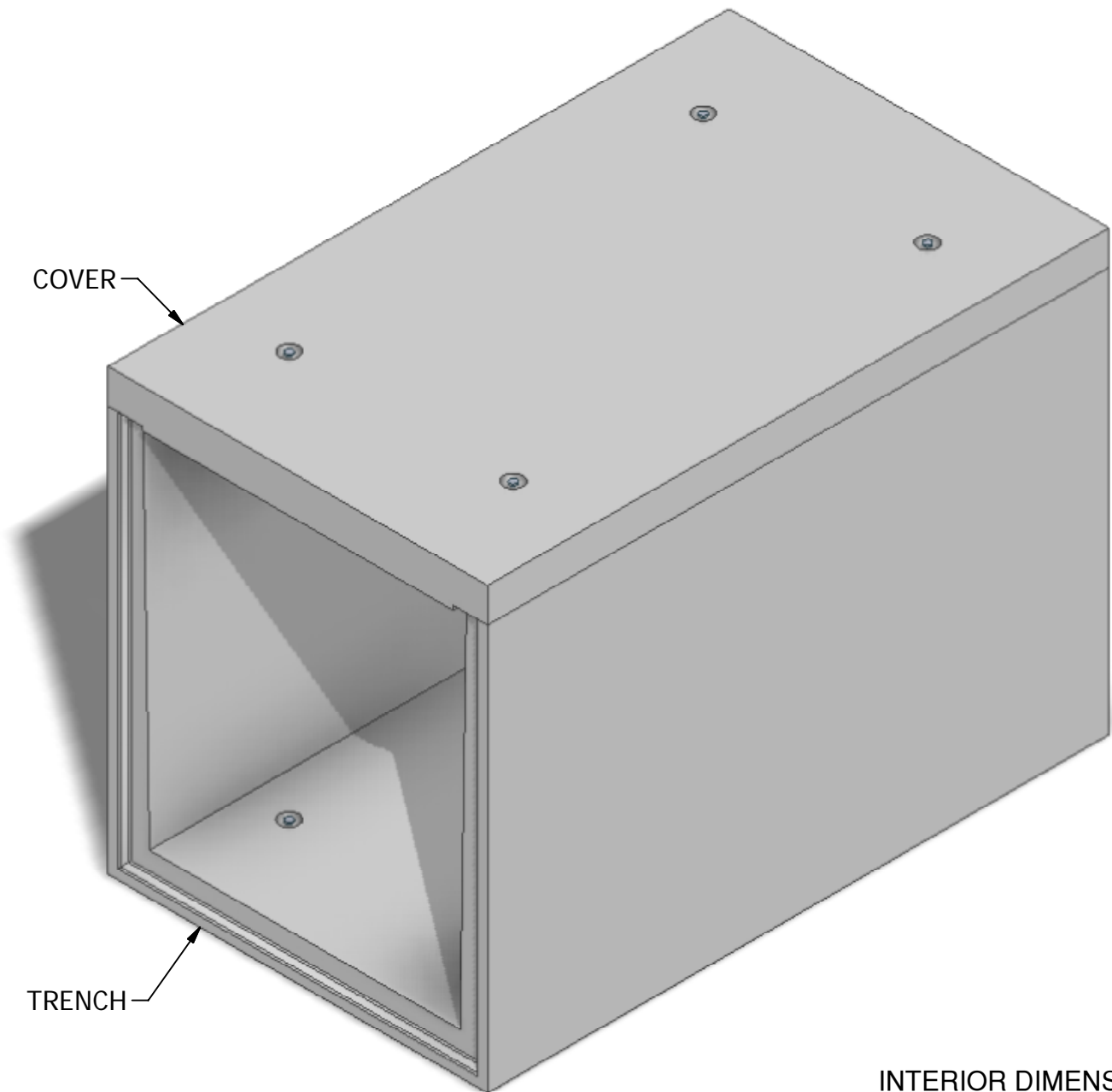


72 x 85 Precast Trench



INTERIOR DIMENSIONS:
7'-1"H x 6'-0"W

WEIGHTS:
COVER (10,180 lbs)
TRENCH (25,600 lbs)

© 2011 Granite Precasting & Concrete, Inc.

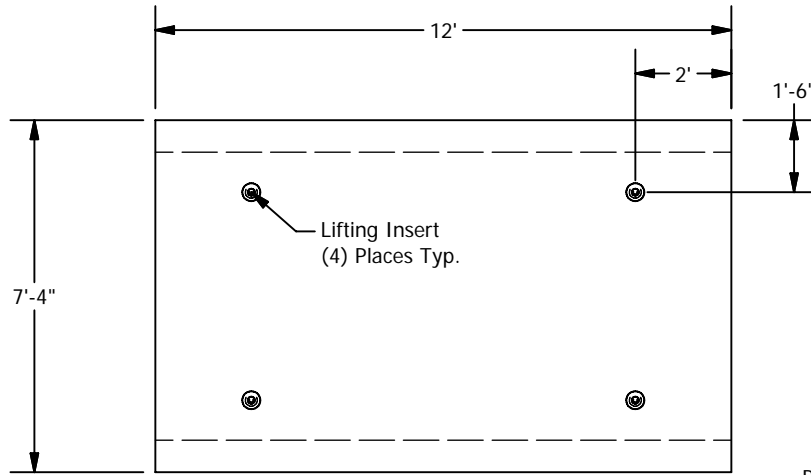


GRANITETM

**PRECASTING &
CONCRETE INC.**

4116 BAKERVIEW SPUR • BELLINGHAM, WA. 98226 • (360) 671-2251 • 1-800-808-2251 • FAX: (360) 671-0780

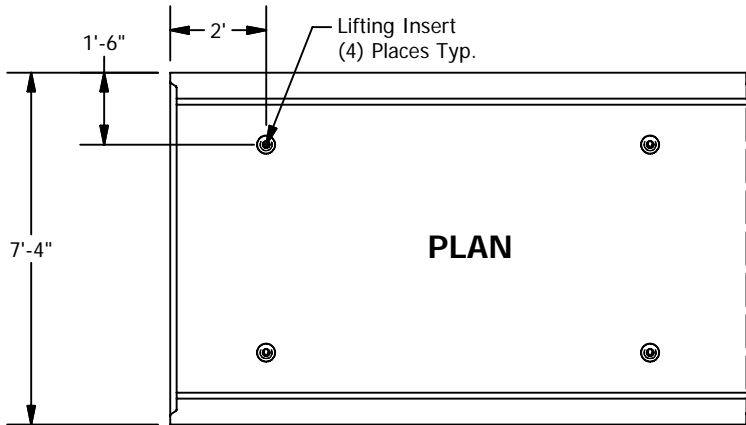
72 x 85 Precast Trench



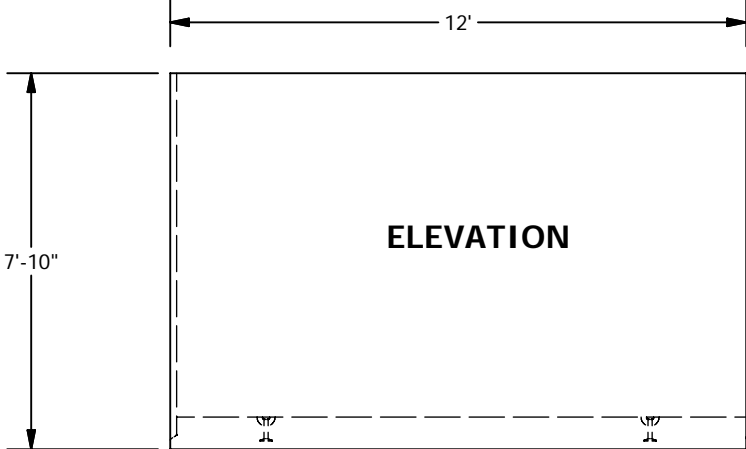
PLAN (COVER)



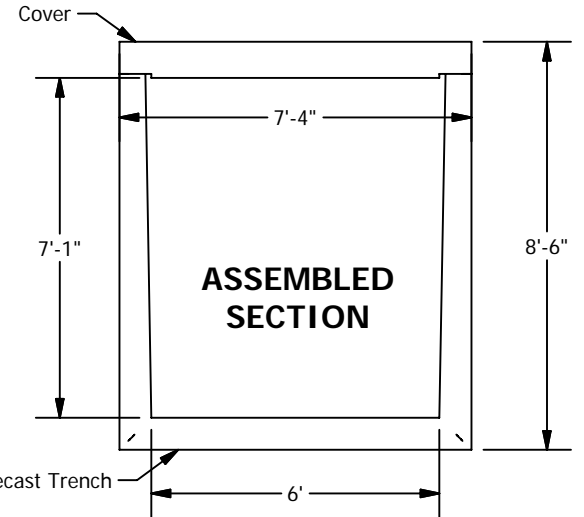
ELEVATION (COVER)



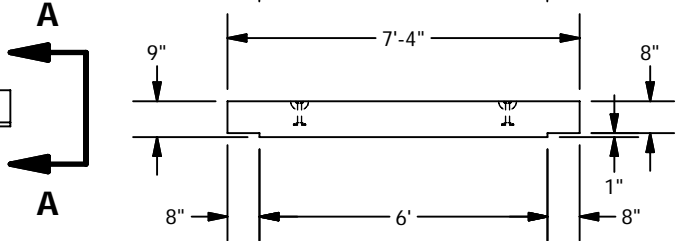
PLAN



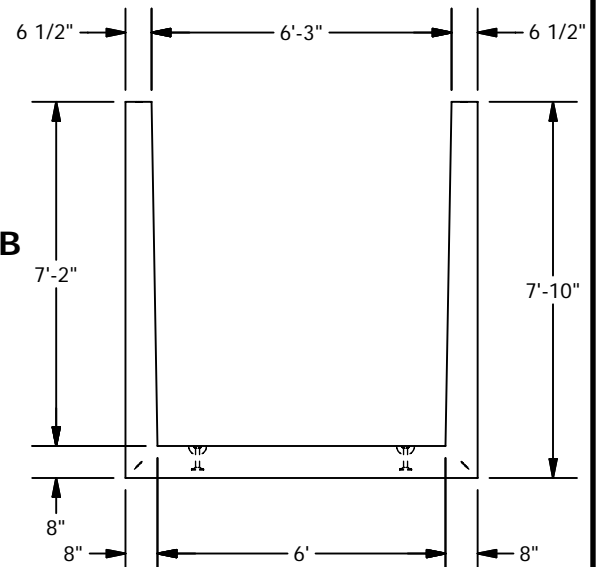
ELEVATION



ASSEMBLED SECTION



**VIEW A-A
SCALE 1/48**



**VIEW B-B
SCALE 1/48**

© 2011 Granite Precasting & Concrete, Inc.

SPECIFICATIONS

1. Concrete: $F_c=5,000$ psi @28 days
2. Rebar: ASTM A-615 Grade 60
3. Design: ASTM C-857 "Minimum Structural Design Loading for Underground Precast Concrete Utility Structures"
4. Loads: AASHTO HS-20
5. Backfill with granular free draining material (sand or pea gravel) free of stones or cobbles greater than 4" in dia.
6. Holes cored to plan specifications.
7. Install lid prior to backfill.
8. Items shown are subject to change without notice.