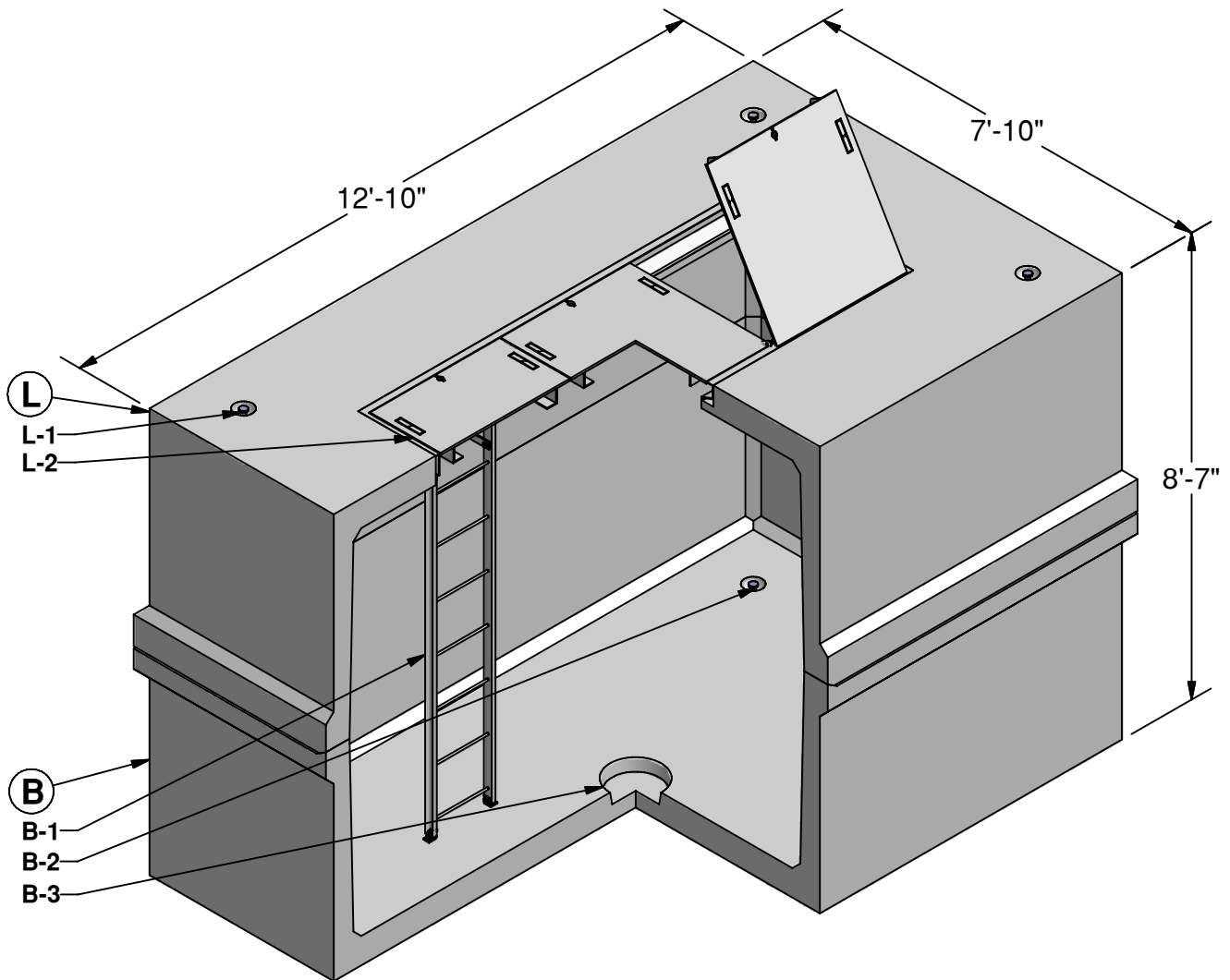


# 7 x 12 Meter Vault



Ⓛ LID (16,675 lbs)

L-1. LIFTING INSERT  
L-2. 3' x 9' GALV. HATCH

Ⓟ BASE (18,160 lbs)

B-1. GALV. LADDER (OPTIONAL)  
B-2. LIFTING INSERT  
B-3. 12" DIA. SUMP

D-29



**GRANITE™ PRECASTING & CONCRETE INC.**

4116 BAKERVIEW SPUR • BELLINGHAM, WA. 98226 • (360) 671-2251 • 1-800-808-2251 • FAX: (360) 671-0780

