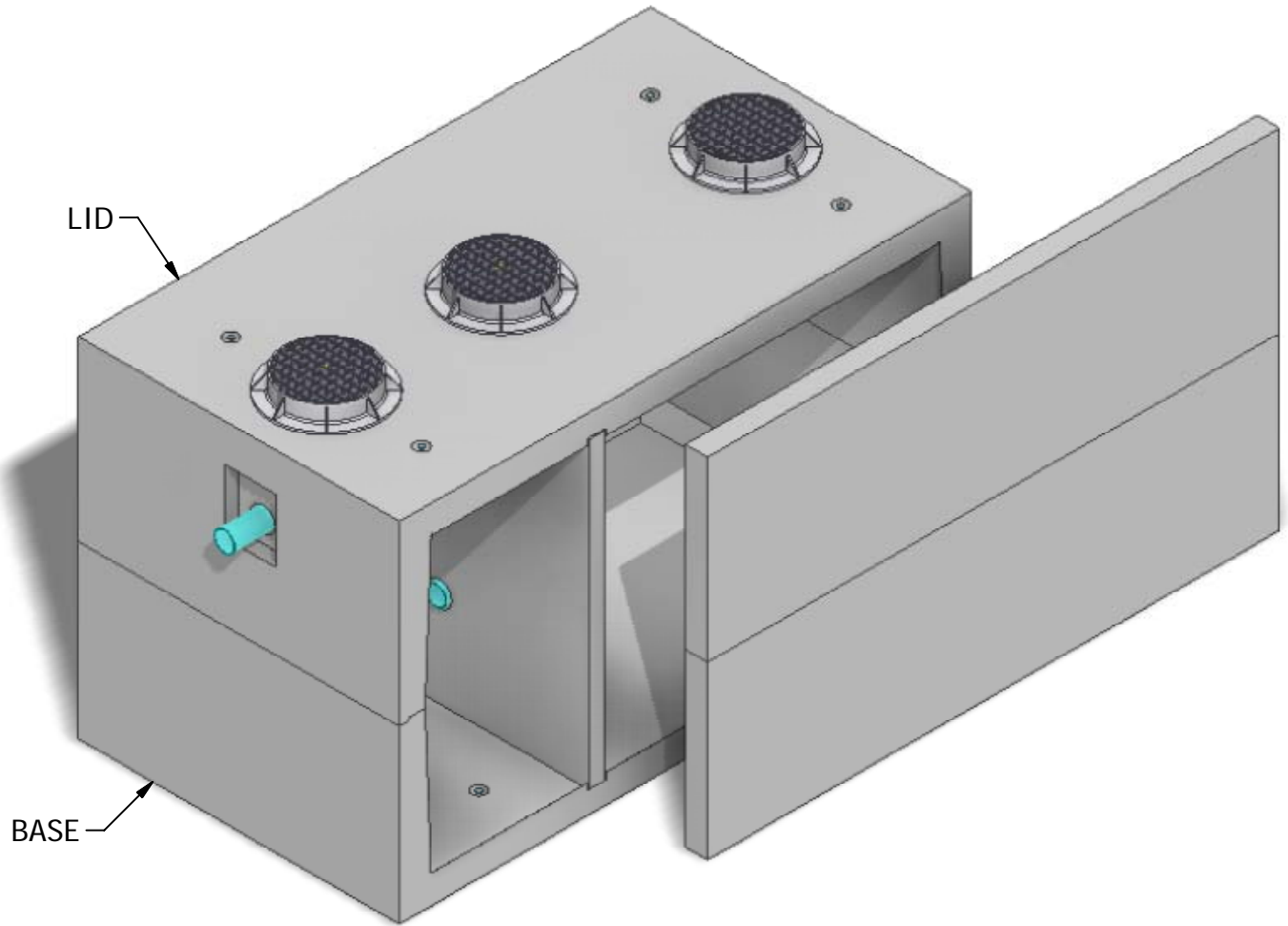


# 8 x 14 Grease Interceptor

5,100 Gallon  
Capacity



INTERIOR DIMENSIONS:  
8'W x 14'L x 8'H

WEIGHTS:  
LID (26,320 lbs)  
BASE (31,140 lbs)

NOTE: Side panel has been shifted to show internal view and is not removable.

© 2011 Granite Precasting & Concrete, Inc.



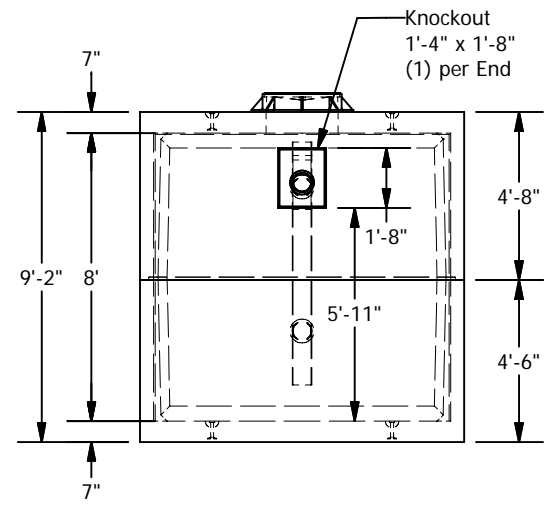
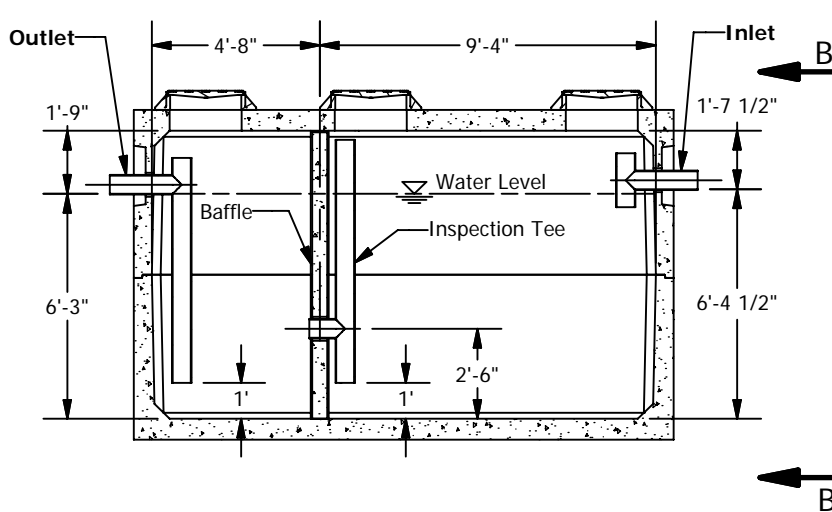
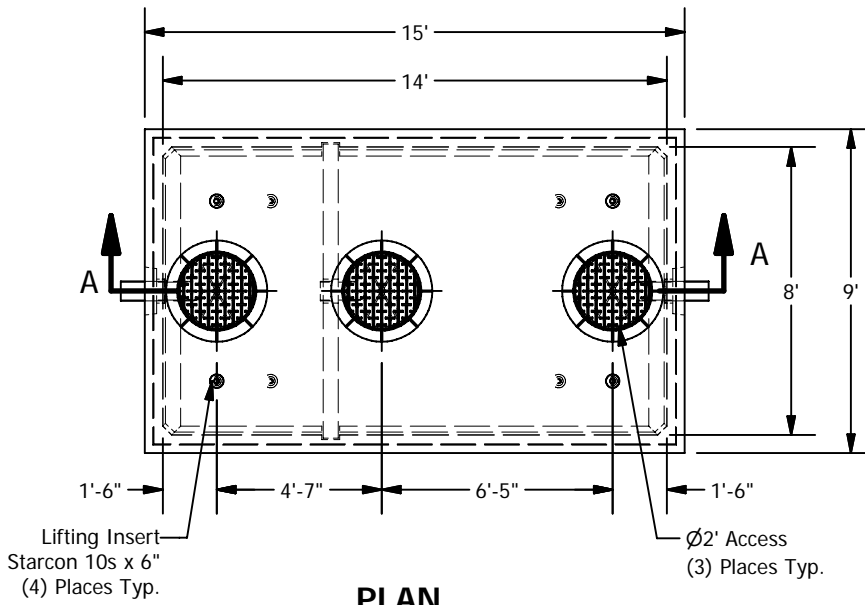
**GRANITE**<sup>TM</sup>

**PRECASTING &  
CONCRETE INC.**

4116 BAKERVIEW SPUR • BELLINGHAM, WA. 98226 • (360) 671-2251 • 1-800-808-2251 • FAX: (360) 671-0780

# 8 x 14 Grease Interceptor

5,100 Gallon Capacity



© 2011 Granite Precasting & Concrete, Inc.

## SPECIFICATIONS

- Concrete:  $f_c=5,000$  psi @ 28 days
- Rebar: ASTM A-615 Grade 60
- Design: ASTM C-857 "Minimum Structural Design Loading for Underground Precast Concrete Utility Structures"
- Loads: AASHTO HS-20
- Backfill with granular free draining material (sand or pea gravel) free of stones or cobbles greater than 4" dia.
- All pipe to be supplied and installed by contractor.
- Contractor to field install baffle.
- Fill with clean water prior to start up.
- Items shown are subject to change without notice.