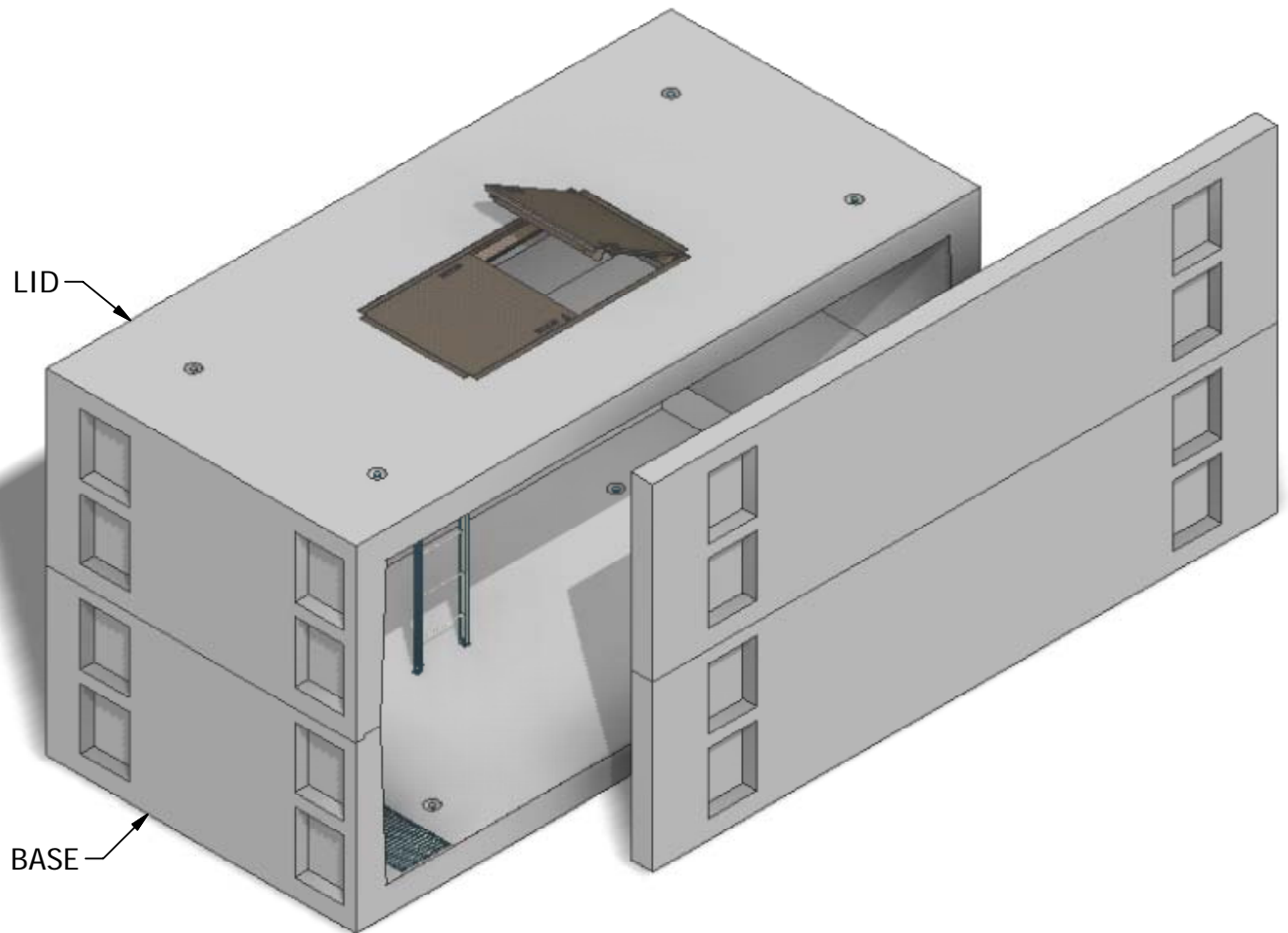


8 x 16 Meter Vault



INTERIOR DIMENSIONS:
8'W x 16'L x 8'H

WEIGHTS:
LID (29,220 lbs)
BASE (34,040 lbs)

NOTE: Side panel has been shifted to show internal view and is not removable.

© 2011 Granite Precasting & Concrete, Inc.



GRANITETM

**PRECASTING &
CONCRETE INC.**

4116 BAKERVIEW SPUR • BELLINGHAM, WA. 98226 • (360) 671-2251 • 1-800-808-2251 • FAX: (360) 671-0780

