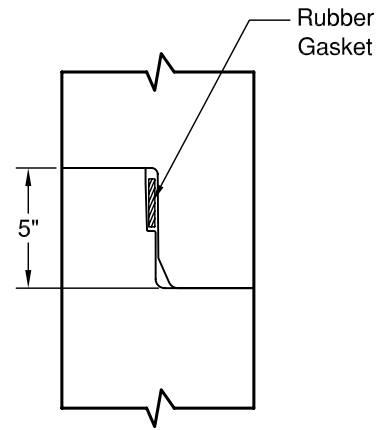
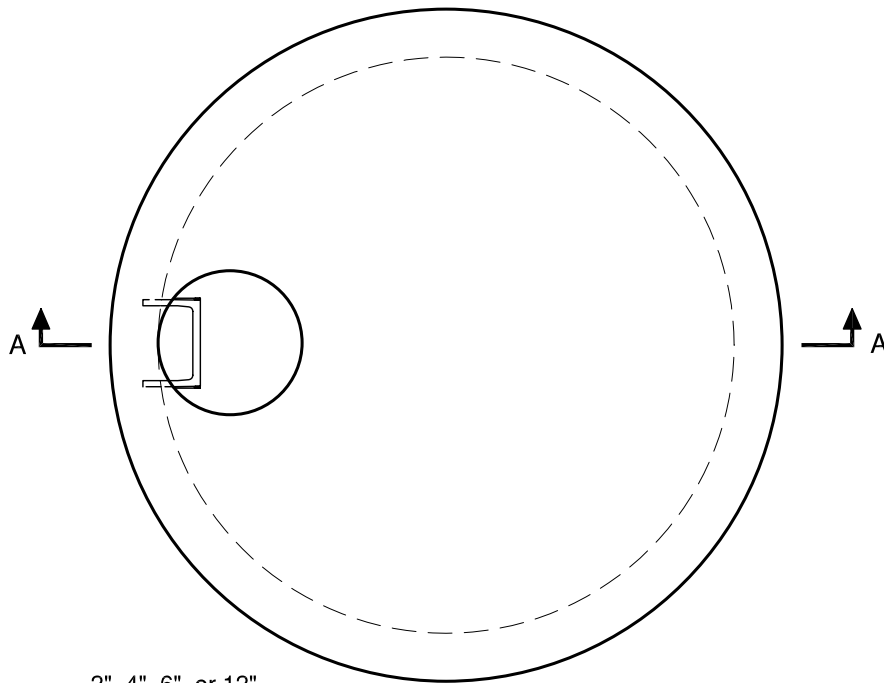
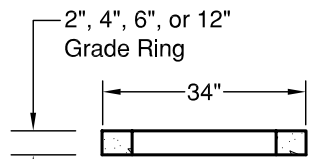


96" Manhole

Meets or Exceeds WSDOT Std Plan B-15.60-00
 Manholes Constructed in Accordance with ASTM C-478
 Rubber Gasket Conforms to ASTM C-443
 Polypropylene MH Steps Conform to ASTM C-478



JOINT DETAIL



PLAN VIEW

WEIGHTS:

TOP SLAB: 10,060 lbs
 RISER: 2,750 lbs/ft
 BASE SLAB: 9,980 lbs

CONCRETE:

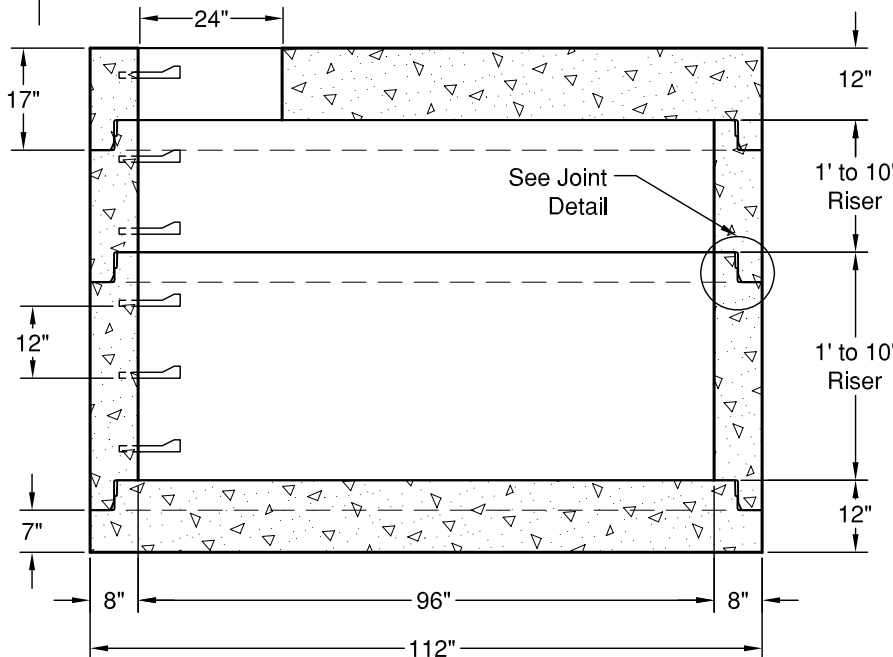
Fc= 4,000 psi @ 28 Days

REINFORCING STEEL:

Rebar: ASTM A615 Grade 60
 Welded Wire Fabric: ASTM A497
 Top Slab: 0.75 Sq in./ft e.w. min.
 Riser: 0.24 Sq in./lin ft min.
 Base Slab: 0.39 Sq in./ft e.w. min.

PIPE PENETRATIONS:

Maximum Hole Size: 84"
 Minimum Distance Hole to Hole: 12"
 Holes Cored to Plan Specifications
 Kor-N-Seal Connections Available



SECTION AA

© 2011 Granite Precasting & Concrete, Inc.



GRANITE™ PRECASTING & CONCRETE INC.

4116 BAKERVIEW SPUR • BELLINGHAM, WA 98226 • (360) 671-2251 • 1-800-808-2251 • FAX: (360) 671-0780